

SMC/JACK - SMA/PLUG ADAPTER 10GHZ

SM2073

SPECIFICATIONS

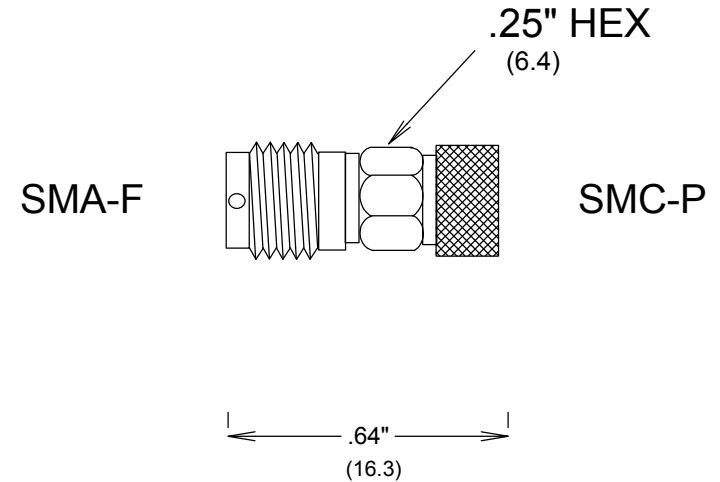
ELECTRICAL

FREQUENCY: 0-10 GHZ
 IMPEDANCE: 50 OHMS
 VSWR: 1.2:1 MAX @ 10GHZ

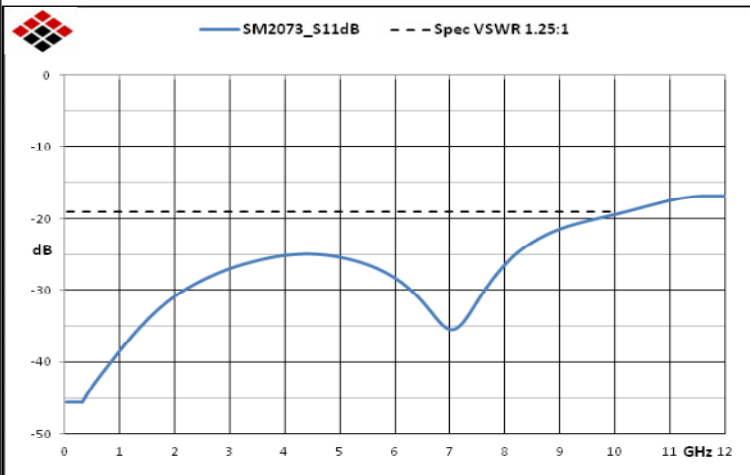
MECHANICAL

MATERIAL BODY: NICKEL PLATED BRASS
 MATERIAL CONTACTS: BeCu
 CONTACT PLATING: Au PER MIL-G-45204
 INSULATOR: TELFON
 INTERFACE: MIL-STD-348

ROHS COMPLIANT
 OP TEMP -55°-125°C



MEASUREMENTS BELOW ARE TYPICAL



ALL DIMENSIONS IN inches(MM) Typical

FAIRVIEW MICROWAVE INC.

ALLEN, TX 75013 WWW.FAIRVIEWMICROWAVE.COM

TITLE

**SMC/JACK - SMA/PLUG ADAPTER
 10GHZ**

SIZE	CAGE CODE	DWG NO	REV
------	-----------	--------	-----

A	3FKR5	SM2073	--
----------	-------	--------	----

SCALE	SHEET
-------	-------