

# SSMC PLUG-JACK

SM2184

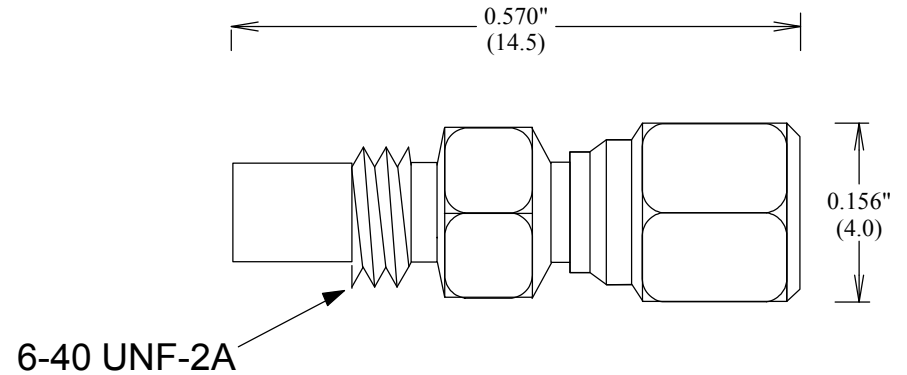
## SPECIFICATIONS

ELECTRICAL  
 50 OHMS  
 FREQUENCY: 0-12 GHZ  
 VSWR 1.25:1 MAX @ 12 GHZ

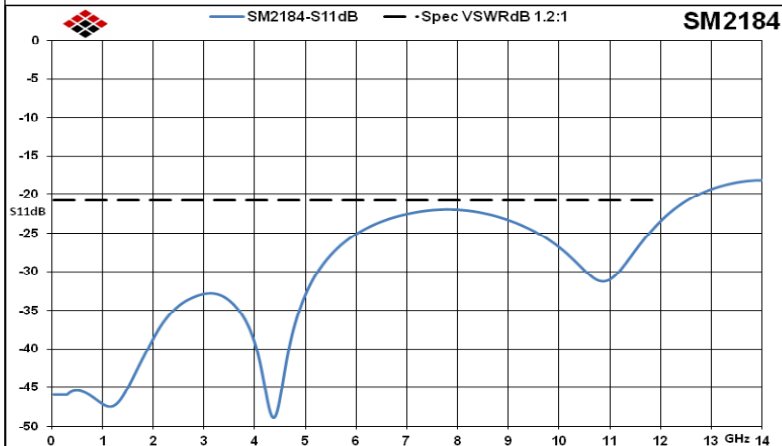
BODY: NICKEL PLATED BRASS  
 CONTACT PLATING: Au PER-MIL-G-45204  
 DIELECTRIC: TEFLON  
 INTERFACE: MIL-STD-348  
 CONTACTS: BeCu

TEMPERATURE RANGE: -55° to +125°C

ROHS COMPLIANT



MEASUREMENTS BELOW ARE TYPICAL



ALL DIMENSIONS IN inches(MM) Typical

**FAIRVIEW MICROWAVE INC.**  
 ALLEN, TX 75013 WWW.FAIRVIEWMICROWAVE.COM

TITLE  
**SSMC PLUG-JACK**

SIZE	CAGE CODE	DWG NO	REV
<b>A</b>	<b>3FKR5</b>	<b>SM2184</b>	<b>A</b>
SCALE	SHEET		