

MCX T J-J-J

SM2251

SPECIFICATIONS

ELECTRICAL:

VSWR 2:1

IMPEDANCE: 50 OHMS

FREQUENCY: 0-2 GHZ 1 PORT UNTERMINATED
0-6 GHZ ALL PORTS TERMINATED

MECHANICAL:

CONNECTORS: Au PLATED BRASS

CONTACT PLATING: Au PLATING
PER MIL-G-45204

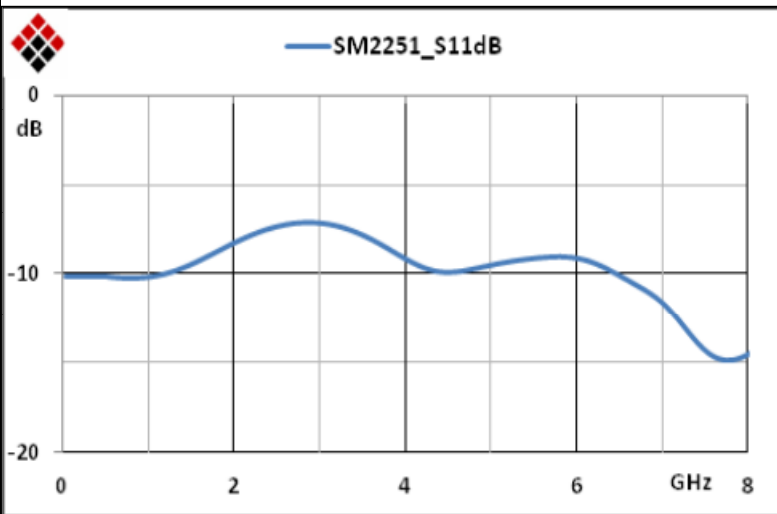
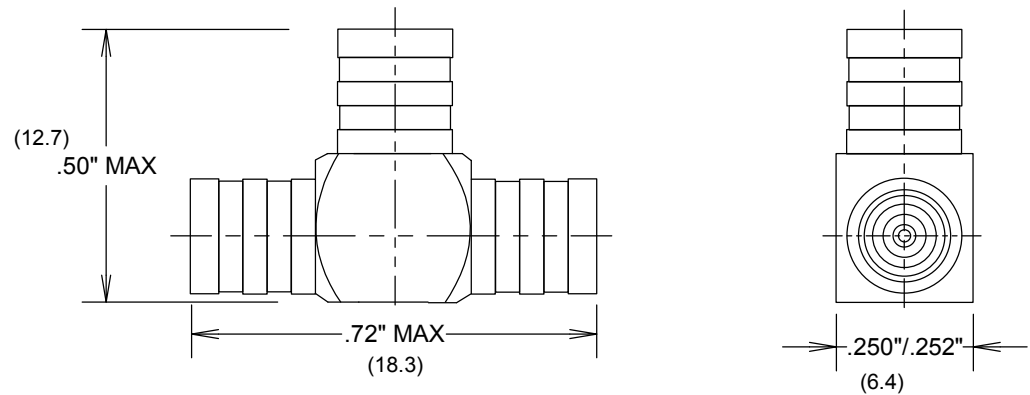
HOUSING: Au PLATED BRASS

INSULATOR: TEFLON

INTERFACE: MIL-STD-348

ENVIRONMENTAL:

TEMP: -45 C TO +125 C



ALL DIMENSIONS IN inches(MM) Typical

FAIRVIEW MICROWAVE INC.

ALLEN, TX 75013 WWW.FAIRVIEWMICROWAVE.COM

TITLE

MCX T J-J-J

SIZE

A

CAGE CODE

3FKR5

DWG NO

SM2251

REV

A

SCALE

SHEET