

10-32 MICRODOT M/F RIGHT ANGLE ADAPTER

SM2393

SPECIFICATIONS

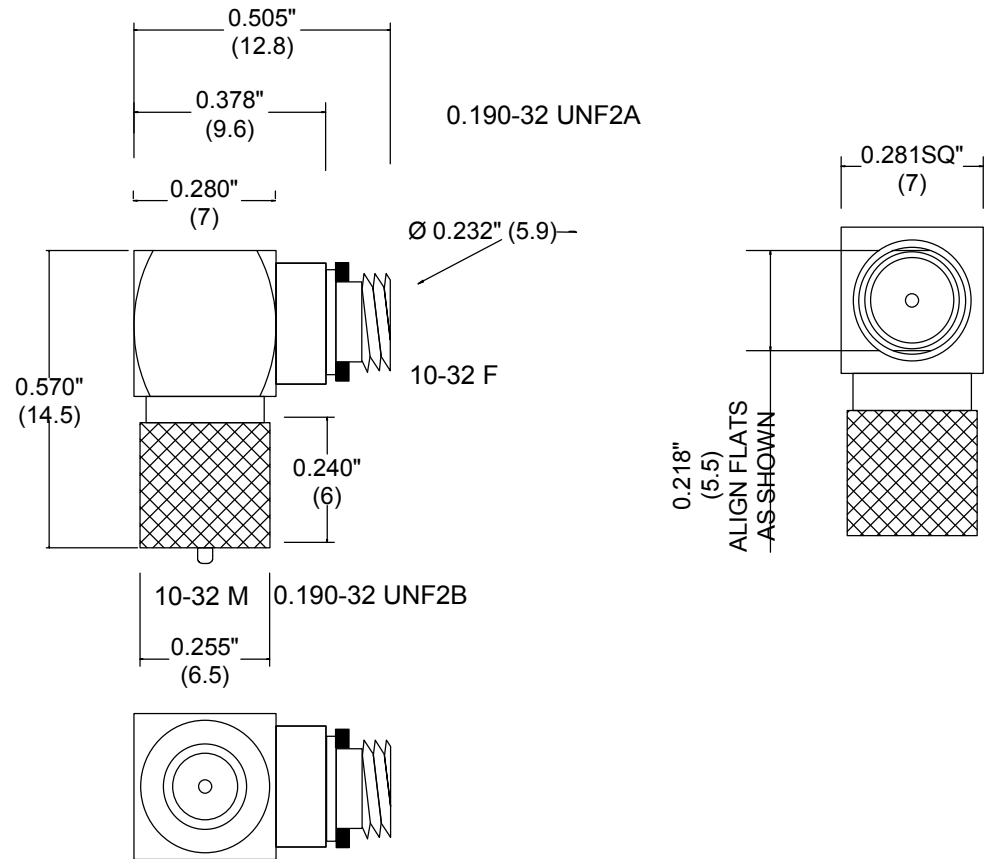
ELECTRICAL

50 OHMS
 VSWR 1.2:1 MAX
 FREQUENCY: 0-2 GHZ

MATERIALS

BODY: NICKEL PLATED BRASS
 FEMALE CENTER CONTACT: BeCu
 MALE CENTER CONTACT: BRASS
 CONTACTS PLATED PER MIL-G-45204
 GASKET: SILICONE
 DIELECTRIC: PTFE
 OPERATING TEMPERATURE: -55° to 120°C

ROHS COMPLIANT



FAIRVIEW MICROWAVE INC.

ALLEN, TX 75013 WWW.FAIRVIEWMICROWAVE.COM

TITLE

10-32 MICRODOT M/F RIGHT ANGLE ADAPTER

SIZE	CAGE CODE	DWG NO	REV
A	3FKR5	SM2393	--

ALL DIMENSIONS IN inches(MM) Typical

SCALE	SHEET
-------	-------