

SMP F/F ADAPTER w EMI RINGS

SM2611

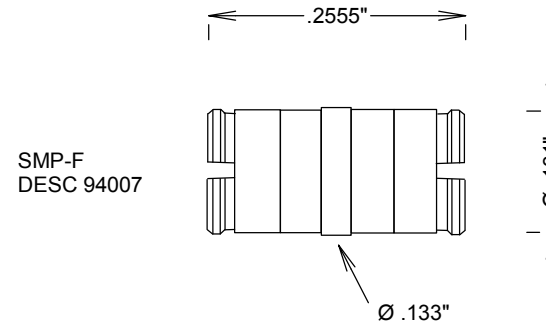
SPECIFICATIONS

ELECTRICAL:

FREQUENCY: 0-40 GHZ
 VSWR 1.20:1 MAX @ 26.5GHZ
 IMPEDANCE: 50 OHMS
 OP. TEMP RANGE: -55° to +125°C

MECHANICAL:

MATERIAL BODY: BeCu
 CENTER CONTACTS: BeCu
 PLATING: Au PER MIL-G-45204
 INSULATOR: TEFLON
 INTERFACE: SMP DESC 94007



EXTRA 4 EMI RINGS

				FAIRVIEW MICROWAVE INC.	
				ALLEN, TX 75013 WWW.FAIRVIEWMICROWAVE.COM	
				TITLE	
				SMP F/F ADAPTER w EMI RINGS	
SIZE	CAGE CODE	DWG NO	REV		
A	3FKR5	SM2611	--		
SCALE			SHEET		