

2.4mm/M - 3.5mm/M ADAPTER 34GHZ

SM3077

SPECIFICATIONS

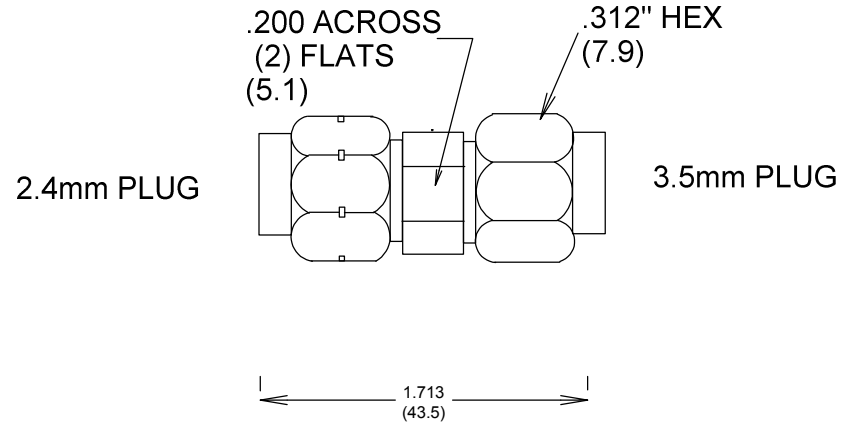
ELECTRICAL
 50 OHMS
 VSWR 1.15:1 MAX @ 34 GHZ

MECHANICAL
 500 CYCLES MIN
 8-10 LBS COUPLING NUT MATING TORQUE
 INTERFACE: MIL-STD-348A

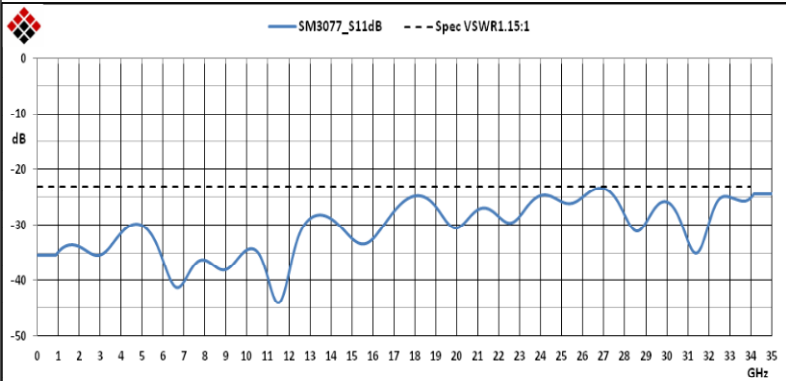
ENVIRONMENTAL
 -55 TO +120° C

MATERIALS
 BODY: PASS. S STEEL
 CONTACT PLATING: Au, MIL-G-45204
 DIELECTRIC: KEL-F PER MIL-P-46036

ROHS COMPLIANT



MEASUREMENTS BELOW ARE TYPICAL



ALL DIMENSIONS IN inches(MM) Typical

FAIRVIEW MICROWAVE INC.

ALLEN, TX 75013 WWW.FAIRVIEWMICROWAVE.COM

TITLE

2.4mm/M - 3.5mm/M ADAPTER 34GHZ

SIZE	CAGE CODE	DWG NO	REV
A	3FKR5	SM3077	--
SCALE		SHEET	