

Radius RA 2.92mm Male to 2.92mm Female Adapter Up To 40GHz

Radius RA 2.92mm male to 2.92mm female adapter part number SM3252 from Fairview Microwave is in-stock and ships same day. This Fairview 2.92mm to 2.92mm adapter has a male to female gender configuration. SM3252 2.92mm male to 2.92mm female adapter operates to 40 GHz. The 2.92mm connector mates mechanically with commercially available SMA and 3.5mm connectors. This low profile radius right angle 2.92mm adapter allows for easier connections in tight spaces. The Fairview Microwave RF adapter provides good VSWR of 1.5:1 maximum.

RF adapters can be used to enable connections between two connector types that would otherwise not mate. Certain RF adapter configurations can also be used to protect connectors on expensive equipment where the number of connect and disconnect cycles is high. An RF, microwave, or millimeter wave adapter is connected to the equipment and the commonly changed connection is made with the adapter which can be easily replaced when it wears out after high usage; such adapters are referred to as connector savers. Fairview Microwave also offers bulkhead, panel mount, hermetically sealed, reverse polarity, and isolated ground adapter varieties to serve all of your RF, microwave and millimeter wave needs.

Electrical Specifications

Description	Min	Typ	Max	Units
Frequency Range	DC		40	GHz
VSWR			1.5:1	
Operating Voltage (AC)			500	Vrms
DWV (AC)			1,500	Vrms
High Potential Voltage (at 5 MHz)			1,000	Vrms
Corona Discharge (at 70,000 ft)			375	Vrms
Inner Conductor DC Resistance			3	mOhms
Outer Conductor DC Resistance			2	mOhms
Insulation Resistance	5,000			MOhms

Electrical Specification Notes:

Values at 25°C, sea level.

RF leakage -90 dB max from 2 to 3 GHz.

Mechanical Specifications

Size

Length 0.85 in [21.59 mm]

Width 0.312 in [7.92 mm]

Weight 0.0097 lbs [4.4 g]

Description	Connector 1	Connector 2
Type	2.92mm Male	2.92mm Female
Polarity	Standard	Standard
Interface Specification	MIL-STD-348	MIL-STD-348
Contact Captivation Method	Epoxy	Epoxy
Mating Cycles	500	500
Hex Size	5/16 inch	



Configuration:

- 2.92mm Male Connector 1
- 2.92mm Female Connector 2
- 50 Ohms
- Radius Right Angle Body Geometry

Features:

- VSWR of 1.5:1 max up to 40 GHz
- 2.92mm interface meets MIL-STD-348
- Epoxy captivation
- Contact plating according to ASTM B-488
- Gold Plated Beryllium Copper Contact

Applications:

- General Purpose Test

Fairview Microwave
 1130 Junction Dr. #100
 Allen, TX 75013
 Tel: 1-800-715-4396 / (972) 649-6678
 Fax: (972) 649-6689
www.fairviewmicrowave.com
sales@fairviewmicrowave.com

Material Specifications

Description	Connector 1	Connector 2
Type	2.92mm Male	2.92mm Female
Contact Material	Beryllium Copper	Beryllium Copper
Contact Plating	Gold	Gold
Contact Plating Spec.	ASTM B-488	ASTM B-488
Insulation Material	PTFE	PTFE
Outer Contact Material		Passivated Stainless Steel
Outer Conductor Contact Spec.		ASTM A-967
Body Material	Passivated Stainless Steel	
Body Plating Spec.	ASTM A-967	
Coupling Nut Material	Passivated Stainless Steel	
Coupling Nut Plating Spec.	ASTM A-967	

Environmental Specifications

Temperature

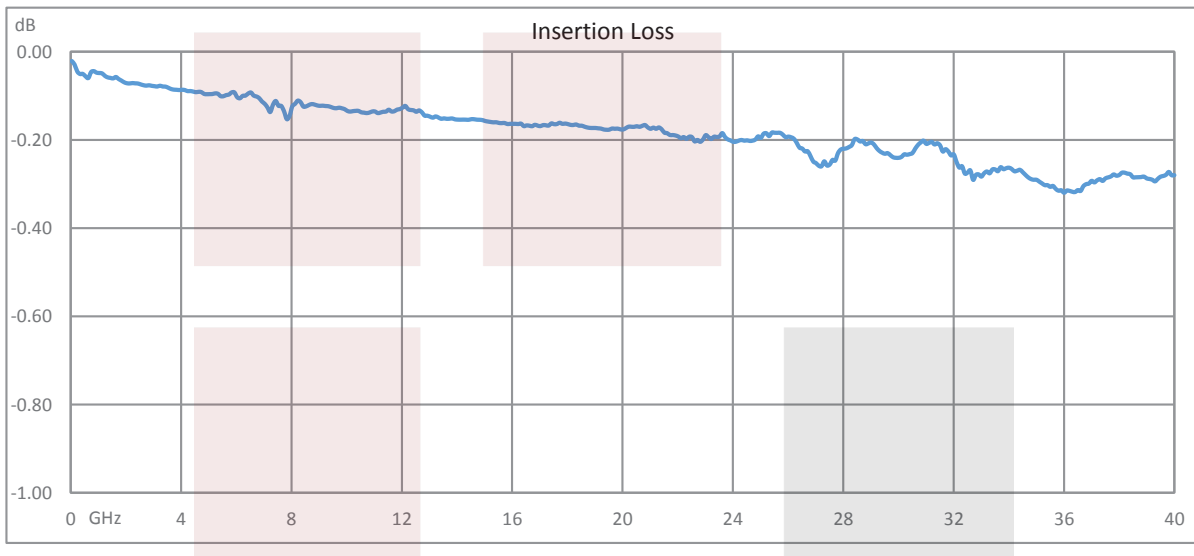
Operating Range	-55 to +125 deg C
Humidity	MIL-STD-202, Method 106
Shock	MIL-STD-202, Method 213, Test Condition I
Vibration	MIL-STD-202, Method 204, Test Condition D
Temperature Cycling	MIL-STD-202, Method 102, Test Condition C
Thermal Shock	MIL-STD-202, Method 107, Test Condition B
Salt Spray	MIL-STD-202, Method 101, Test Condition B

Compliance Certifications (see [product page](#) for current document)

Plotted and Other Data

Notes:

Typical Performance Data

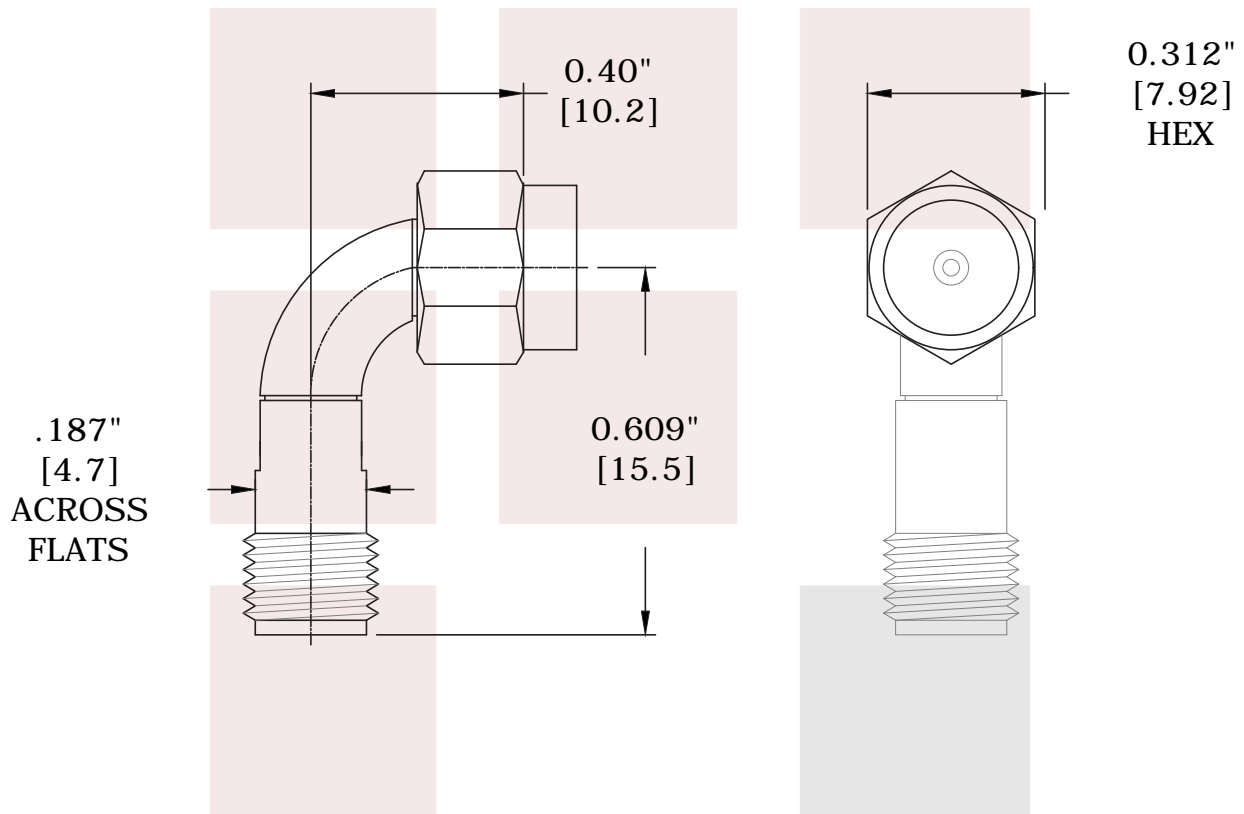


Radius RA 2.92mm Male to 2.92mm Female Adapter Up To 40GHz from Fairview Microwave is in-stock and available to ship same-day. All of our RF/microwave products are available off-the-shelf from our ISO 9001:2008 certified facilities in Allen, Texas. Fairview Microwave is RF on-demand.

For additional information on this product, please click the following link: [Radius RA 2.92mm Male to 2.92mm Female Adapter Up To 40GHz SM3252](#)

URL: <https://www.fairviewmicrowave.com/radius-ra-2.92mm-male-2.92mm-female-adapter-sm3252-p.aspx>

The information contained in this document is accurate to the best of our knowledge and representative of the part described herein. It may be necessary to make modifications to the part and/or the documentation of the part, in order to implement improvements. Fairview Microwave reserves the right to make such changes as required. Unless otherwise stated, all specifications are nominal. Fairview Microwave does not make any representation or warranty regarding the suitability of the part described herein for any particular purpose, and Fairview Microwave does not assume any liability arising out of the use of any part or documentation.



FAIRVIEW MICROWAVE INC. ALLEN, TX 75013 WWW.FAIRVIEWMICROWAVE.COM		NOTES: 1. UNLESS OTHERWISE SPECIFIED ALL DIMENSIONS ARE NOMINAL. 2. ALL SPECIFICATIONS ARE SUBJECT TO CHANGE WITHOUT NOTICE AT ANY TIME. 3. DIMENSIONS ARE IN INCHES [mm].			
TITLE Radius RA 2.92mm Male to 2.92mm Female Adapter Up To 40GHz		DWG NO SM3252		CAGE CODE 3FKR5	
CAD FILE	011415	SHEET	SCALE	N/A	SIZE A 5568