

**RA 2.92mm Female to 3.5mm Female Adapter**

**Electrical Specifications**

Frequency Range	DC to 34.5 GHz
Maximum VSWR	1.25:1
Maximum Insertion Loss	0.3 dB

**Specifications by Frequency**

Description	F1	F2	F3	F4	F5	Units
Range	DC to 34.5					GHz

**Mechanical Specifications**

**Size**

Length	0.585 in [14.86 mm]
Width	0.585 in [14.86 mm]
Height	0.3 in [7.62 mm]
Weight	0.011 lbs [4.99 g]
Color	Silver

**Connector 1**

Type	2.92mm Female
Inner Conductor Material and Plating	Beryllium Copper, Gold
Inner Conductor Plating Specification	MIL-G-45204
Outer Conductor Material and Plating	Passivated Stainless Steel
Outer Conductor Plating Specification	ASTM A380
Body Material and Plating	Passivated Stainless Steel
Body Plating Specification	ASTM A380
Dielectric Type	Air

**Connector 2**

Type	3.5mm Female
Inner Conductor Material and Plating	Beryllium Copper, Gold
Inner Conductor Plating Specification	MIL-G-45204
Outer Conductor Material and Plating	Passivated Stainless Steel
Outer Conductor Plating Specification	ASTM A380
Body Material and Plating	Passivated Stainless Steel
Body Plating Specification	ASTM A380
Dielectric Type	Air

**Environmental Specifications**

**Temperature**

Operating Range	-55 to +125 deg C
-----------------	-------------------

**Compliance Certifications** (visit [www.FairviewMicrowave.com](http://www.FairviewMicrowave.com) for current document)

**Plotted and Other Data**

Notes:

- Values at 25 °C, sea level

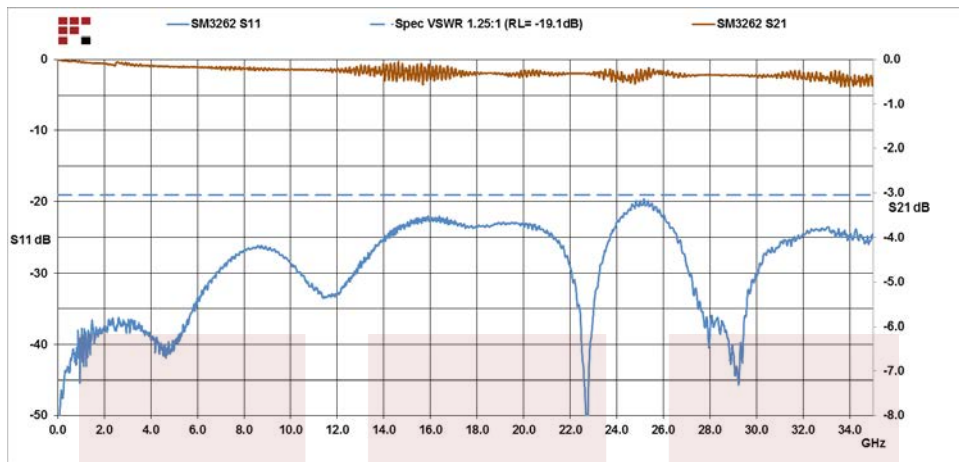


**Features:**

- Connector 1: 2.92mm Female
- Impedance 1: 50 Ohms
- Connector 2: 3.5mm Female
- Impedance 2: 50 Ohms
- Adapter Design: Standard
- Body Style: Right Angle

Fairview Microwave  
 1130 Junction Dr. #100  
 Allen, TX 75013  
 Tel: 1-800-715-4396 / (972) 649-6678  
 Fax: (972) 649-6689  
[www.fairviewmicrowave.com](http://www.fairviewmicrowave.com)  
[sales@fairviewmicrowave.com](mailto:sales@fairviewmicrowave.com)

**Typical Performance Data**

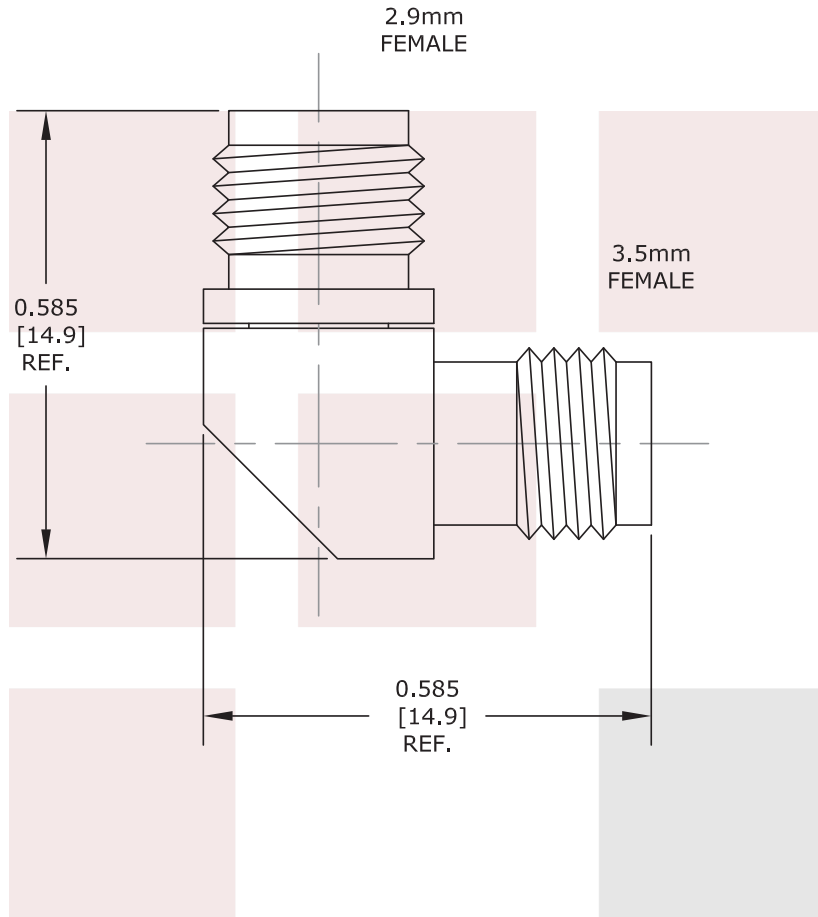


RA 2.92mm Female to 3.5mm Female Adapter from Fairview Microwave is in-stock and available to ship same-day. All of our RF/microwave products are available off-the-shelf from our ISO 9001:2008 certified facilities in Allen, Texas. Fairview Microwave is RF on-demand.

For additional information on this product, please click the following link: [RA 2.92mm Female to 3.5mm Female Adapter SM3262](#)

URL: <http://www.fairviewmicrowave.com/ra-2.92mm-female-3.5mm-female-adapter-sm3262-p.aspx>

The information contained in this document is accurate to the best of our knowledge and representative of the part described herein. It may be necessary to make modifications to the part and/or the documentation of the part, in order to implement improvements. Fairview Microwave reserves the right to make such changes as required. Unless otherwise stated, all specifications are nominal. Fairview Microwave does not make any representation or warranty regarding the suitability of the part described herein for any particular purpose, and Fairview Microwave does not assume any liability arising out of the use of any part or documentation.



<b>FAIRVIEW MICROWAVE INC.</b> ALLEN, TX 75013 WWW.FAIRVIEWMICROWAVE.COM		NOTES: 1. UNLESS OTHERWISE SPECIFIED ALL DIMENSIONS ARE NOMINAL. 2. ALL SPECIFICATIONS ARE SUBJECT TO CHANGE WITHOUT NOTICE AT ANY TIME. 3. DIMENSIONS ARE IN INCHES [mm].			
<b>RA-2.92mm Female to 3.5mm Female Adapter</b> 2.9mm Female to 3.5mm Female Right Angle Adapter		DWG NO <b>SM3262</b>		CAGE CODE <b>3FKR5</b>	
CAD FILE	030314	SHEET	SCALE	N/A	SIZE A 2233