

7/16 - 7/16 F-F DIN ADAPTER S STEEL

SM3384

SPECIFICATIONS

ELECTRICAL

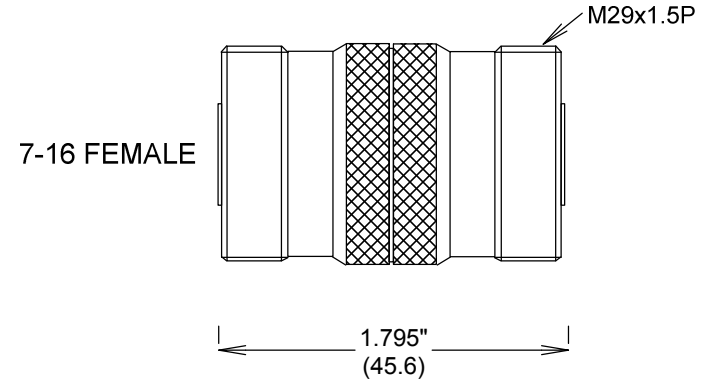
FREQUENCY: 0-6 GHZ
 IMPEDANCE: 50 OHMS
 VSWR: 1.15:1 MAX

MECHANICAL

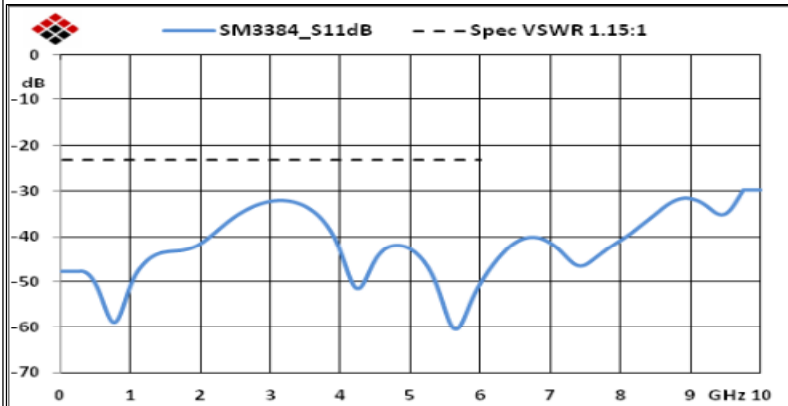
MATERIALS 7/16 BODY: PASS S STEEL
 FEMALE CONTACTS: BeCu, Si PLATING
 INSULATOR: TEFLON
 RECOMMENDED TORQUE 7-16 221 IN-LBS
 DURABILITY: 500 CYCLES MIN

OTHER SPECIFICATIIONS PER DIN 47223
 OPERATING TEMP: -45° TO +125°C

ROHS COMPLIANT



MEASUREMENTS BELOW ARE TYPICAL



ALL DIMENSIONS IN inches(MM) Typical

FAIRVIEW MICROWAVE INC.

ALLEN, TX 75013 WWW.FAIRVIEWMICROWAVE.COM

TITLE

7/16 - 7/16 F-F DIN ADAPTER S STEEL

SIZE	CAGE CODE	DWG NO	REV
A	3FKR5	SM3384	A
SCALE		SHEET	