

## 7/16 DIN Female to 7/16 DIN Female 4 Hole Flange Adapter

7/16 DIN female to 7/16 DIN female 4 hole flange adapter part number SM3388 from Fairview Microwave is in-stock and ships same day. This Fairview 7/16 DIN to 7/16 DIN adapter has a female to female gender configuration. SM3388 7/16 DIN female to 7/16 DIN female adapter operates to 6 GHz. Our RF 7/16 DIN to 7/16 DIN 4 hole flange adapter allows designers to create external connections on their product enclosures, and can be used in a variety of other rack mount and panel mount applications. The Fairview Microwave RF adapter provides excellent VSWR of 1.15:1 maximum.

RF adapters can be used to enable connections between two connector types that would otherwise not mate. Certain RF adapter configurations can also be used to protect connectors on expensive equipment where the number of connect and disconnect cycles is high. An RF, microwave, or millimeter wave adapter is connected to the equipment and the commonly changed connection is made with the adapter which can be easily replaced when it wears out after high usage; such adapters are referred to as connector savers. Fairview Microwave also offers bulkhead, panel mount, hermetically sealed, reverse polarity, and isolated ground adapter varieties to serve all of your RF, microwave and millimeter wave needs.

### Electrical Specifications

Description	Min	Typ	Max	Units
Frequency Range	DC		6	GHz
VSWR			1.15:1	
Operating Voltage (AC)			2,700	Vrms
DWV (AC)			4,000	Vrms

Electrical Specification Notes:  
 Values at 25°C, sea level.

### Mechanical Specifications

<b>Size</b>	
Length	1.34 in [34.04 mm]
Width	1.26 in [32 mm]
Height	1.26 in [32 mm]
Weight	0.2842 lbs [128.91 g]

Description	Connector 1	Connector 2
Type	7/16 DIN Female	7/16 DIN Female
Polarity	Standard	Standard
Interface Specification	IEC 169-4	IEC 169-4
Mating Cycles	500	500



### Configuration:

- 7/16 DIN Female Connector 1
- 7/16 DIN Female Connector 2
- 50 Ohms
- Straight Body Geometry
- 4 Hole Flange Mount Method

### Features:

- VSWR of 1.15:1 max up to 6 GHz
- 7/16 DIN interface meets IEC 169-4
- 5 µm minimum contact plating
- Silver Plated Beryllium Copper Contact

### Applications:

- General Purpose Test
- Rack Mounted Equipment

Fairview Microwave  
 1130 Junction Dr. #100  
 Allen, TX 75013  
 Tel: 1-800-715-4396 / (972) 649-6678  
 Fax: (972) 649-6689  
[www.fairviewmicrowave.com](http://www.fairviewmicrowave.com)  
[sales@fairviewmicrowave.com](mailto:sales@fairviewmicrowave.com)

**Material Specifications**

Description	Connector 1	Connector 2
Type	7/16 DIN Female	7/16 DIN Female
Contact Material	Beryllium Copper	Beryllium Copper
Contact Plating	Silver	Silver
Contact Plating Spec.	5 µm minimum	5 µm minimum
Insulation Material	PTFE	PTFE
Outer Contact Material	Brass	Brass
Outer Contact Plating	Tri-Metal	Tri-Metal

**Environmental Specifications**

**Temperature**

Operating Range

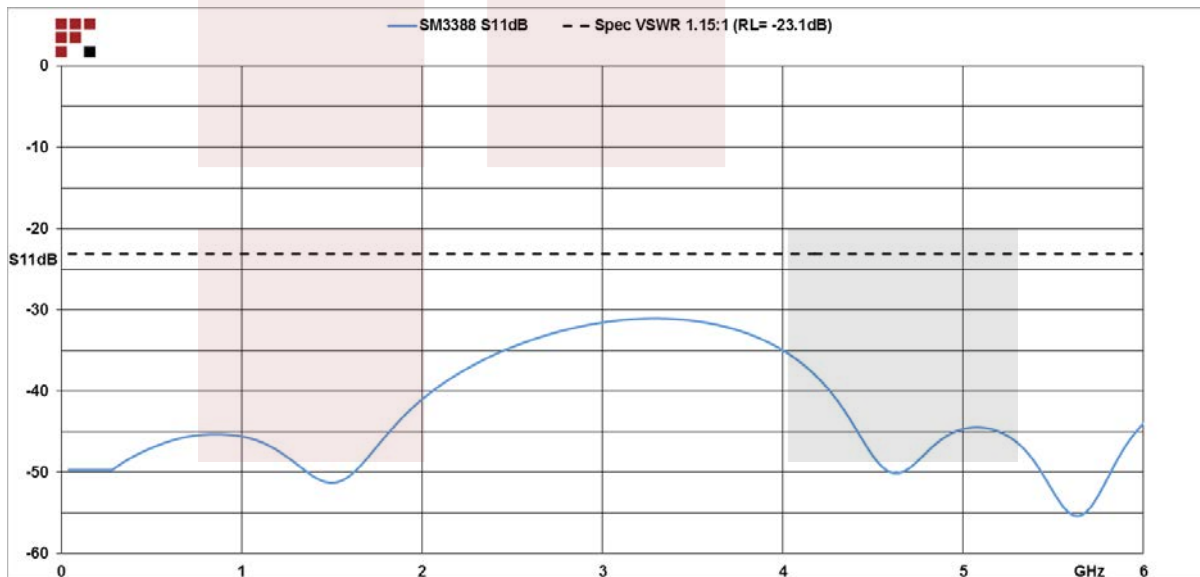
-45 to +120 deg C

**Compliance Certifications** (see [product page](#) for current document)

**Plotted and Other Data**

Notes:

**Typical Performance Data**



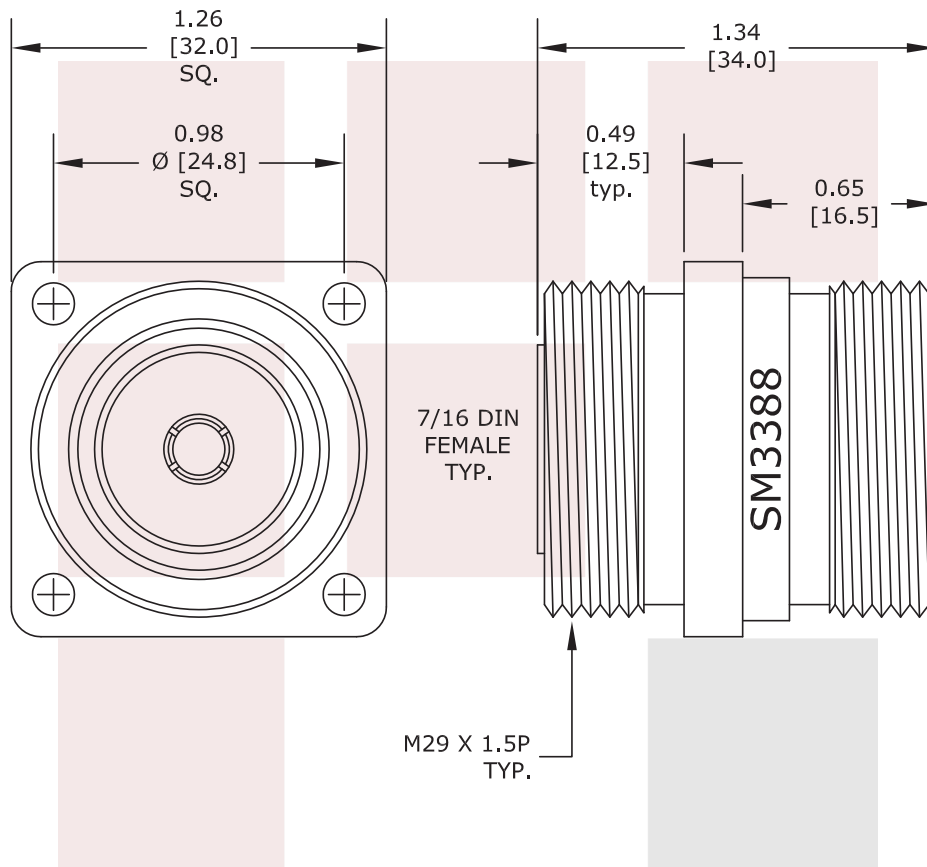
7/16 DIN Female to 7/16 DIN Female 4 Hole Flange Adapter from Fairview Microwave is in-stock and available to ship same-day. All of our RF/microwave products are available off-the-shelf from our ISO 9001:2008 certified facilities in Allen, Texas. Fairview Microwave is RF on-demand.

For additional information on this product, please click the following link: [7/16 DIN Female to 7/16 DIN Female 4 Hole Flange Adapter SM3388](#)

URL: <https://www.fairviewmicrowave.com/7-16-female-7-16-female-4-hole-flange-adapter-sm3388-p.aspx>

The information contained in this document is accurate to the best of our knowledge and representative of the part described herein. It may be necessary to make modifications to the part and/or the documentation of the part, in order to implement improvements. Fairview Microwave reserves the right to make such changes as required. Unless otherwise stated, all specifications are nominal. Fairview Microwave does not make any representation or warranty regarding the suitability of the part described herein for any particular purpose, and Fairview Microwave does not assume any liability arising out of the use of any part or documentation.





<b>FAIRVIEW MICROWAVE INC.</b> ALLEN, TX 75013 WWW.FAIRVIEWMICROWAVE.COM		NOTES: 1. UNLESS OTHERWISE SPECIFIED ALL DIMENSIONS ARE NOMINAL. 2. ALL SPECIFICATIONS ARE SUBJECT TO CHANGE WITHOUT NOTICE AT ANY TIME. 3. DIMENSIONS ARE IN INCHES [mm].			
TITLE 7/16 DIN Female to 7/16 DIN Female 4 Hole Flange Adapter		DWG NO SM3388		CAGE CODE 3FKR5	
CAD FILE	120715	SHEET	SCALE	N/A	SIZE A 150