

# SPECIFICATIONS

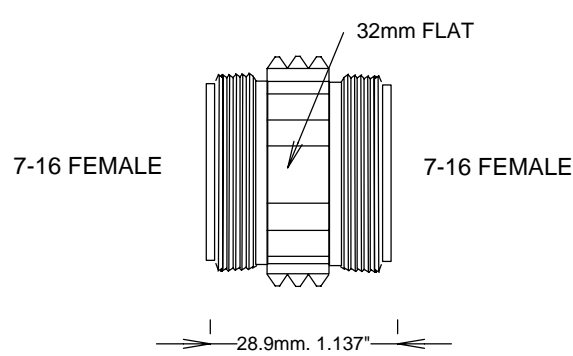
## ELECTRICAL

FREQUENCY: 0-8 GHZ  
 IMPEDANCE: 50 OHMS  
 VSWR: 1.08:1 MAX @ 3GHZ; 1.12 @ 8GHZ  
 VRMS: 2700 V SEA LEVEL  
 IM3 < -165 dBc

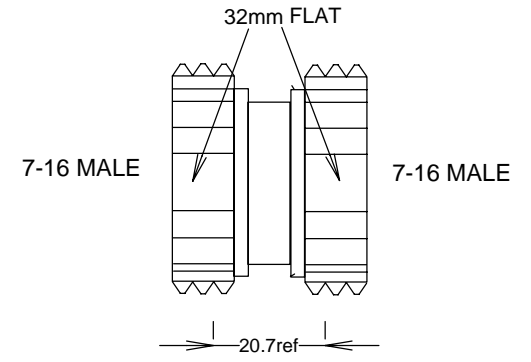
## MECHANICAL

MATERIALS BODY COPPER ALLOY, SILVER PLATED  
 MATERIALS CONTACTS COPPER ALLOY, Si PLATED  
 RECOMMENDED TORQUE 7-16 221 IN-LBS; N 8-14 IN-LBS  
 DURABILITY: 500 CYCLES MIN

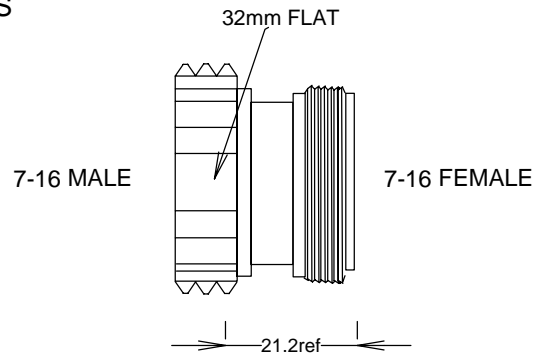
ENVIRONMENTAL PER DIN 47223



SM3385



SM3390



SM3395

**S. M. ELECTRONICS**

FAIRVIEW, TX WWW.SMELECTRONICS.US

TITLE

**7/16- 7/16 DIN ADAPTERS**

SIZE	CAGE CODE	DWG NO	REV
A	3FKR5	SM3385, SM3390, SM3395	-
SCALE			SHEET