

BNC/M-SMB/JACK 4GHZ 75 OHMS

SM3642

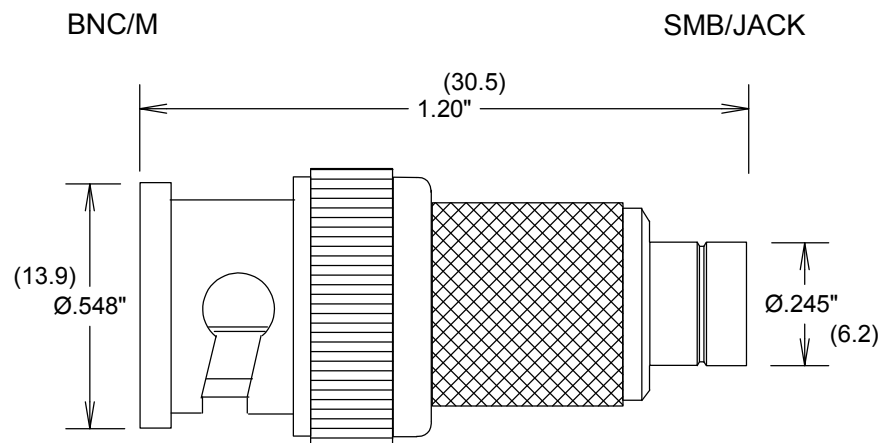
SPECIFICATIONS

ELECTRICAL

FREQUENCY: 0-4 GHZ
 IMPEDENCE: 75 OHMS
 VSWR: 1.2:1 MAX

MECHANICAL

MATERIAL BODY: NICKEL PLATED BRASS
 MATERIAL CONTACT BNC: BRASS
 MATERIAL CONTACT SMB: BeCu
 CONTACT PLATIN: Au PER MIL-G-45204
 INSULATOR: TEFLON
 INTERFACE: MIL-STD-348A
 TEMPERATURE RATING: -55° +110°C
 ROHS COMPLIANT



FAIRVIEW MICROWAVE INC.

ALLEN, TX 75013 WWW.FAIRVIEWMICROWAVE.COM

TITLE

BNC/M-SMB/JACK 4GHZ 75 OHMS

ALL DIMENSION IN inches(MM) Typical	SIZE	CAGE CODE	DWG NO	REV
	A	3FKR5	SM3642	A
	SCALE		SHEET	