

SSMA ADAPTER 18GHZ

SM3715

SPECIFICATIONS

ELECTRICAL

50 OHMS

VSWR 1.30:1 MAX @ 25 GHZ

FREQUENCY: 0-25 GHZ

MECHANICAL

100 CYCLES MIN

INTERFACE: MIL-STD-348A

ENVIRONMENTAL

-55 DEG C TO +125 DEG C

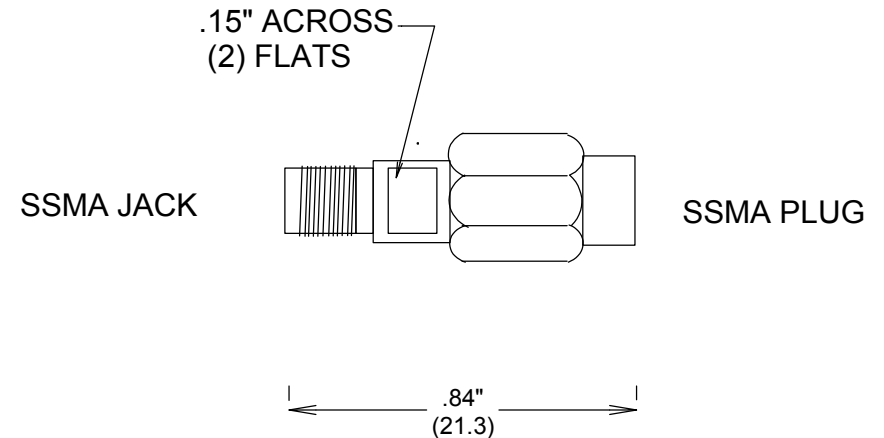
MATERIALS NICKLE PLATED BRASS

OPTIONAL PLATING: Au

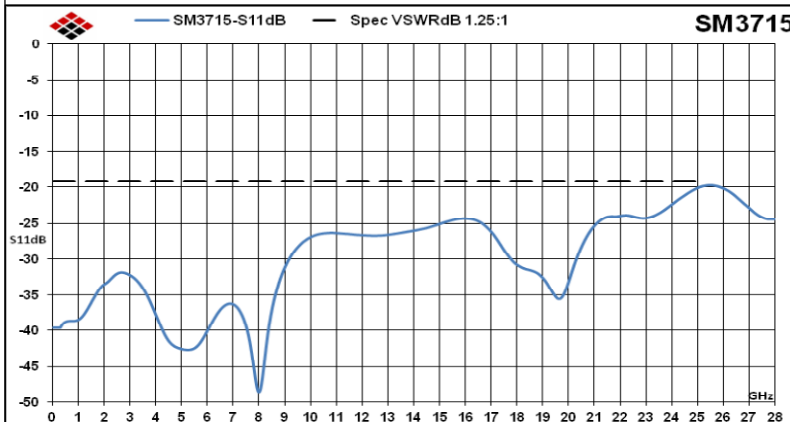
CONTACTS: BeCu ATSM-B-196

CONTACT PLATING: Au MIL-G-45204

INSULATOR: TEFLON



MEASUREMENTS BELOW ARE TYPICAL



ALL DIMENSIONS IN inches(MM) Typical

FAIRVIEW MICROWAVE INC.

ALLEN, TX 75013 WWW.FAIRVIEWMICROWAVE.COM

TITLE

SSMA ADAPTERS 18GHZ

SIZE	CAGE CODE	DWG NO	REV
A	3FKR5	SM3715	--
SCALE		SHEET	