

Hermetically Sealed SC Female to SC Female Bulkhead Adapter

Hermetically sealed SC female to SC female bulkhead adapter part number SM3827 from Fairview Microwave is in-stock and ships same day. This Fairview SC to SC adapter has a female to female gender configuration. SM3827 SC female to SC female adapter operates to 8 GHz. The Fairview Microwave RF adapter provides good VSWR of 1.35:1 maximum. Our RF SC to SC bulkhead adapter allows designers to create external connections on their product enclosures, and can be used in a variety of other rack mount and panel mount applications. The Fairview Microwave hermetic SC to SC adapter prevents the leakage of gases, making it suitable for high pressure or vacuum applications or whenever an airtight seal is required.

RF adapters can be used to enable connections between two connector types that would otherwise not mate. Certain RF adapter configurations can also be used to protect connectors on expensive equipment where the number of connect and disconnect cycles is high. An RF, microwave, or millimeter wave adapter is connected to the equipment and the commonly changed connection is made with the adapter which can be easily replaced when it wears out after high usage; such adapters are referred to as connector savers. Fairview Microwave also offers bulkhead, panel mount, hermetically sealed, reverse polarity, and isolated ground adapter varieties to serve all of your RF, microwave and millimeter wave needs.

Electrical Specifications

Description	Min	Typ	Max	Units
Frequency Range	DC		8	GHz
VSWR			1.35:1	
DWV (AC)			2,500	Vrms

Electrical Specification Notes:
Values at 25°C , sea level

Mechanical Specifications

Size	
Length	1.816 in [46.13 mm]
Width	1 in [25.4 mm]
Weight	0.15 lbs [68.04 g]

Description	Connector 1	Connector 2
Type	SC Female	SC Female
Polarity	Standard	Standard
Interface Specification	MIL-PRF-39012//MIL-STD-348	MIL-PRF-39012 //MIL-STD-348
Contact Captivation Method	Epoxy	Epoxy
Connector Option	Hermetically Sealed	Hermetically Sealed

Mechanical Specification Notes:
The glass bead seal in the center of the adapter is sensitive to shock and axial pressure. If the adapter is subjected to shock and overtightening of the coupling nut, the glass bead interseal will shatter easily. Jam nut torque not to exceed 15 inch pounds



Configuration:

- SC Female Connector 1
- SC Female Connector 2
- 50 Ohm
- Straight Body Geometry
- Bulkhead Mount Method

Features:

- VSWR of 1.35:1 max up to 8 GHz
- Hermetically Sealed
- SC interface meets MIL-PRF-39012
- MIL-STD-348
- SC interface meets MIL-PRF-39012
- MIL-STD-348
- Epoxy captivation
- Contact plating according to MIL-G-45204
- Gold Plated Beryllium Copper Contact

Applications:

- General Purpose Test
- Vacuum Test Environment
- Rack Mounted Equipment

Fairview Microwave
301 Leora Ln., Suite 100
Lewisville, TX 75056
Tel: 1-800-715-4396 / (972) 649-6678
Fax: (972) 649-6689
www.fairviewmicrowave.com
sales@fairviewmicrowave.com

Material Specifications

Description	Connector 1	Connector 2
Type	SC Female	SC Female
Contact Material	Beryllium Copper	Beryllium Copper
Contact Plating	Gold	Gold
Contact Plating Spec.	MIL-G-45204	MIL-G-45204
Insulation Material	PTFE	PTFE
Outer Contact Material	Brass	Brass
Outer Contact Plating	Nickel	Nickel
Body Material	Brass	Brass
Body Plating	Nickel	Nickel
Gasket Material	Silicone Rubber	Silicone Rubber
Coupling Nut Material		Brass
Coupling Nut Plating		Nickel

Environmental Specifications

Temperature

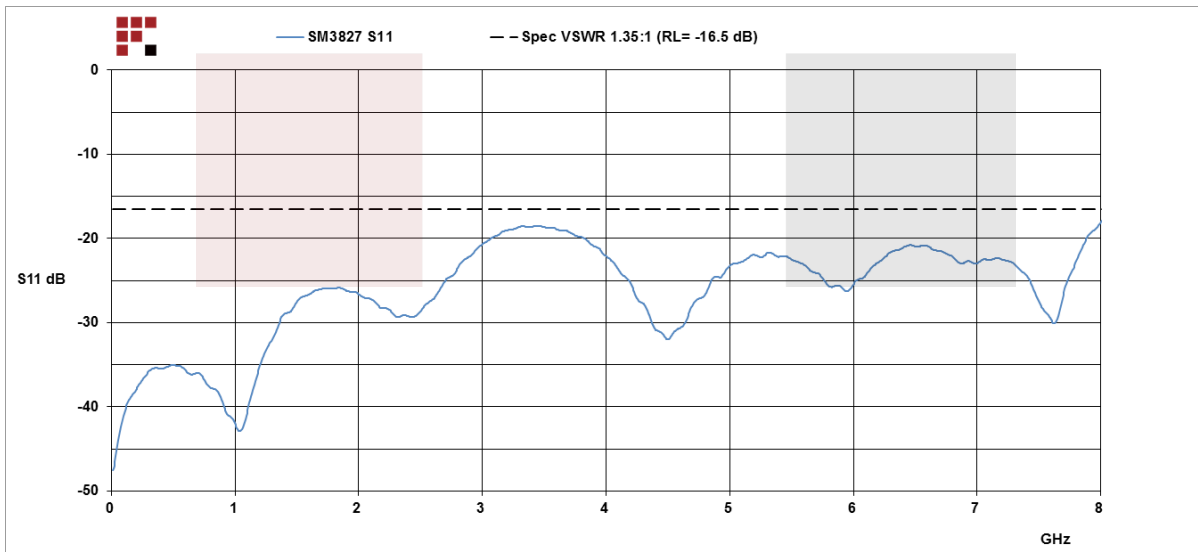
Operating Range -55 to +110 deg C

Compliance Certifications (see [product page](#) for current document)

Plotted and Other Data

Notes:

Typical Performance Data



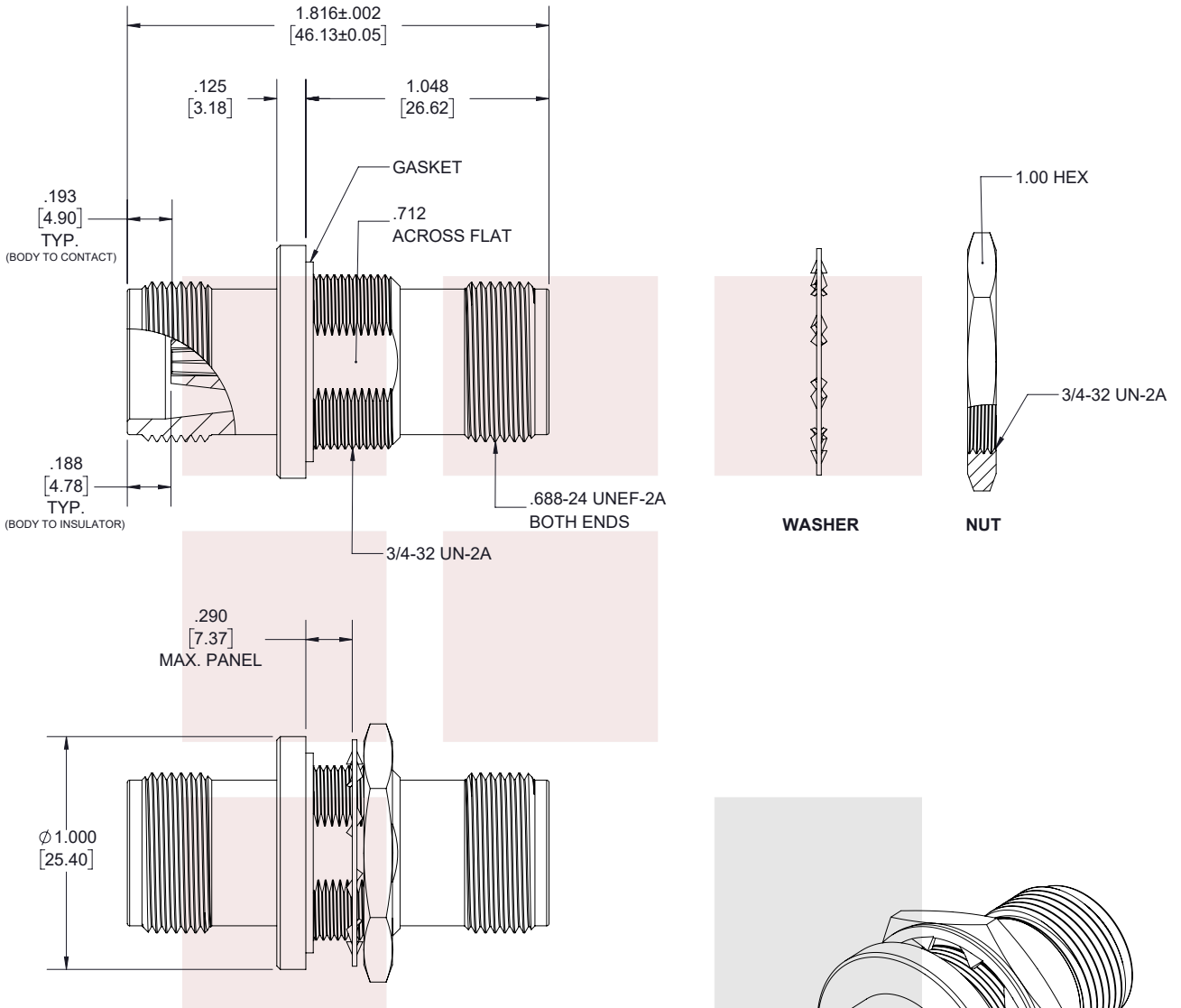
Hermetically Sealed SC Female to SC Female Bulkhead Adapter from Fairview Microwave is in-stock and available to ship same-day. All of our RF/microwave products are available off-the-shelf from our ISO 9001:2008 certified facilities in Allen, Texas. Fairview Microwave is RF on-demand.

For additional information on this product, please click the following link: [Hermetically Sealed SC Female to SC Female Bulkhead Adapter SM3827](#)

URL: <https://www.fairviewmicrowave.com/hermetically-sealed-sc-female-sc-female-bulkhead-adapter-sm3827-p.aspx>

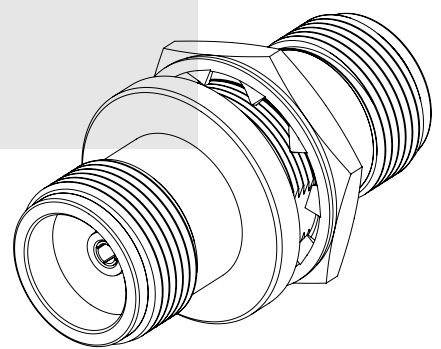
The information contained in this document is accurate to the best of our knowledge and representative of the part described herein. It may be necessary to make modifications to the part and/or the documentation of the part, in order to implement improvements. Fairview Microwave reserves the right to make such changes as required. Unless otherwise stated, all specifications are nominal. Fairview Microwave does not make any representation or warranty regarding the suitability of the part described herein for any particular purpose, and Fairview Microwave does not assume any liability arising out of the use of any part or documentation.





STANDARD TOLERANCES	
.X	±0.2
.XX	±0.02
.XXX	±0.005

*STANDARD TOLERANCES APPLY ONLY TO DIMENSIONS IN INCHES



FAIRVIEW MICROWAVE INC. ALLEN, TX 75013 WWW.FAIRVIEWMICROWAVE.COM		NOTES: 1. UNLESS OTHERWISE SPECIFIED ALL DIMENSIONS ARE NOMINAL. 2. ALL SPECIFICATIONS ARE SUBJECT TO CHANGE WITHOUT NOTICE AT ANY TIME. 3. DIMENSIONS ARE IN INCHES [mm].			
TITLE Hermetically Sealed SC Female to SC Female Bulkhead Adapter		DWG NO SM3827		CAGE CODE 3FKR5	
CAD FILE	012418	SHEET	1 OF 1	SCALE	N/A
		SIZE	A		7361