

# SC/M-SC/F ADAPTER 11GHZ

SM3830

## SPECIFICATIONS

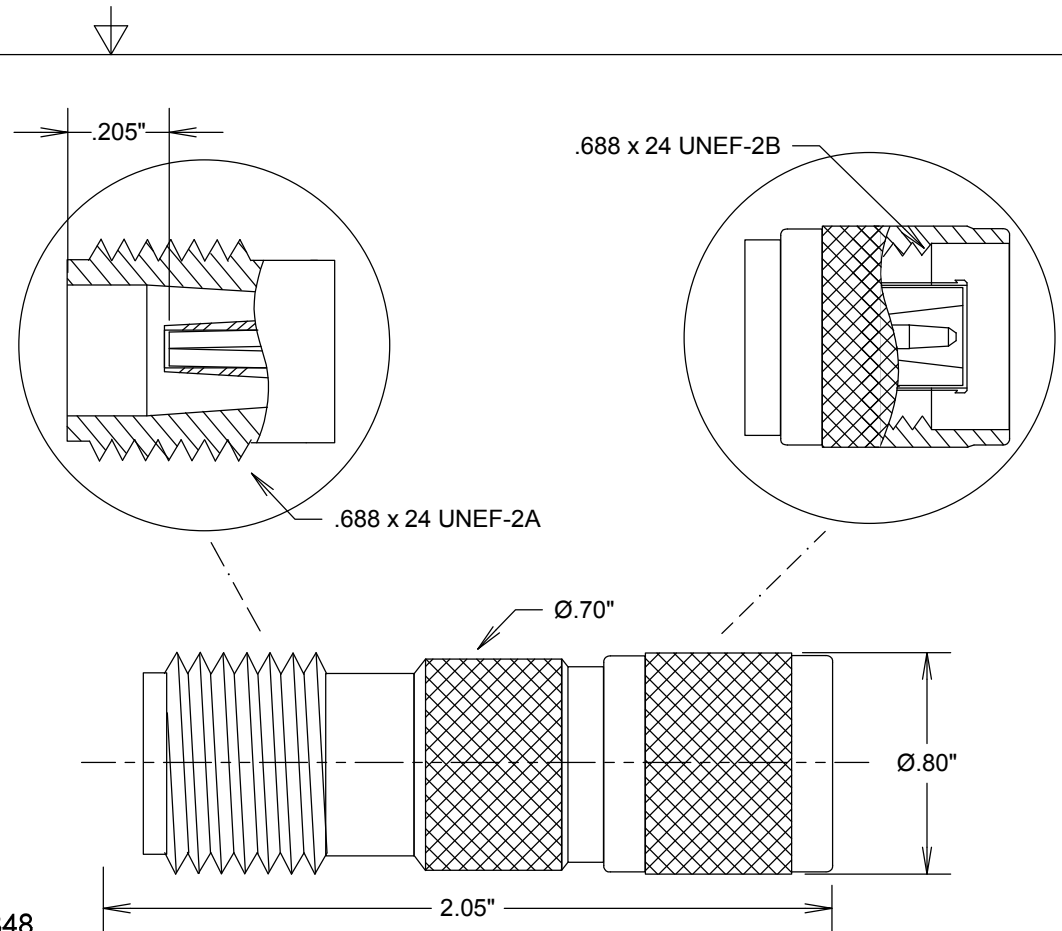
### ELECTRICAL

FREQUENCY: 0-11 GHZ  
IMPEDANCE: 50 OHMS  
VSWR: 1.25:1 MAX

### MECHANICAL

MATERIALS BODY NICKEL PLATED BRASS  
MATERIALS CONTACTS BRASS, Si PLATING  
INSULATOR: TEFLON  
IN ACCORDANCE WITH MIL-PRF-39012 & MIL-STD-348  
TEMP RANGE : -55° C TO +155° C

ROHS COMPLIANT



**FAIRVIEW MICROWAVE INC.**

ALLEN, TX 75013 WWW.FAIRVIEWMICROWAVE.COM

TITLE

**SC/M-SC/F ADAPTER 11GHZ**

SIZE	CAGE CODE	DWG NO	REV
<b>A</b>	<b>3FKR5</b>	<b>SM3830</b>	<b>--</b>

SCALE

SHEET