

RA 1.85mm Female to 2.4mm Female Adapter

Electrical Specifications

Frequency Range	DC to 50 GHz
Maximum VSWR	1.4:1
Maximum Insertion Loss	0.4 dB

Specifications by Frequency

Description	F1	F2	F3	F4	F5	Units
Range	DC to 0	0 to 50				GHz
VSWR	1.4:1					
Return Loss	15.563					dB

Mechanical Specifications

Color Silver

Connector 1

Type 1.85mm Female
 Inner Conductor Material and Plating Beryllium Copper, Gold
 Inner Conductor Plating Specification MIL-G-45204
 Outer Conductor Material and Plating Passivated Stainless Steel
 Outer Conductor Plating Specification ASTM A380
 Body Material and Plating Passivated Stainless Steel
 Body Plating Specification ASTM A380
 Dielectric Type Air

Connector 2

Type 2.4mm Female
 Inner Conductor Material and Plating Beryllium Copper, Gold
 Inner Conductor Plating Specification MIL-G-45204
 Outer Conductor Material and Plating Passivated Stainless Steel
 Outer Conductor Plating Specification ASTM A380
 Body Material and Plating Passivated Stainless Steel
 Body Plating Specification ASTM A380
 Dielectric Type Air

Environmental Specifications

Temperature

Operating Range -55 to +125 deg C

Compliance Certifications (visit www.FairviewMicrowave.com for current document)

RoHS Compliant Yes

Plotted and Other Data

Notes:

- Values at 25 °C, sea level



Features:

- Connector 1: 1.85mm Female
- Impedance 1: 50 Ohms
- Connector 2: 2.4mm Female
- Impedance 2: 50 Ohms
- Adapter Design: Standard
- Body Style: Right Angle

Fairview Microwave
 1130 Junction Dr. #100
 Allen, TX 75013
 Tel: 1-800-715-4396 / (972) 649-6678
 Fax: (972) 649-6689
www.fairviewmicrowave.com
sales@fairviewmicrowave.com

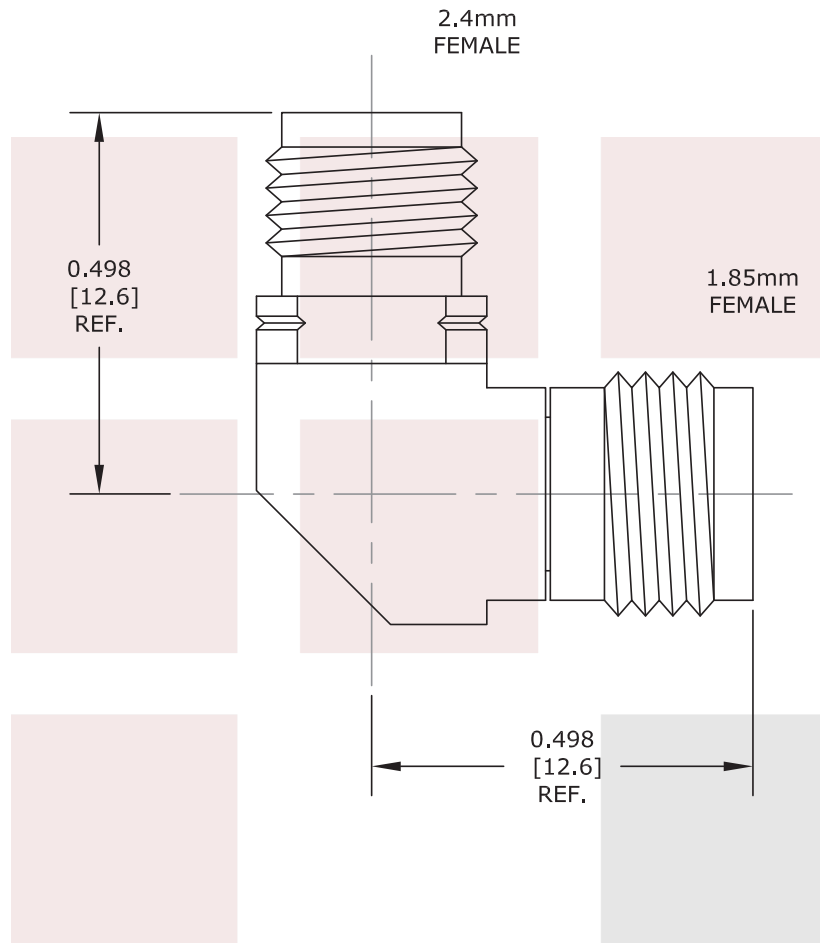
RA 1.85mm Female to 2.4mm Female Adapter from Fairview Microwave is in-stock and available to ship same-day. All of our RF/microwave products are available off-the-shelf from our ISO 9001:2008 certified facilities in Allen, Texas. Fairview Microwave is RF on-demand.

For additional information on this product, please click the following link: [RA 1.85mm Female to 2.4mm Female Adapter SM3842](#)

URL: <http://www.fairviewmicrowave.com/ra-1.85mm-female-2.4mm-female-adapter-sm3842-p.aspx>

The information contained in this document is accurate to the best of our knowledge and representative of the part described herein. It may be necessary to make modifications to the part and/or the documentation of the part, in order to implement improvements. Fairview Microwave reserves the right to make such changes as required. Unless otherwise stated, all specifications are nominal. Fairview Microwave does not make any representation or warranty regarding the suitability of the part described herein for any particular purpose, and Fairview Microwave does not assume any liability arising out of the use of any part or documentation.





FAIRVIEW MICROWAVE INC. ALLEN, TX 75013 WWW.FAIRVIEWMICROWAVE.COM		NOTES: 1. UNLESS OTHERWISE SPECIFIED ALL DIMENSIONS ARE NOMINAL. 2. ALL SPECIFICATIONS ARE SUBJECT TO CHANGE WITHOUT NOTICE AT ANY TIME. 3. DIMENSIONS ARE IN INCHES [mm].			
TITLE RA 1.85mm Female to 2.4mm Female Adapter		DWG NO SM3842		CAGE CODE 3FKR5	
CAD FILE	051314	SHEET	SCALE	N/A	SIZE A 2233