

1.85/M-2.92/F RT ANGLE ADAPTER

SM3847

SPECIFICATIONS

ELECTRICAL

50 OHMS

VSWR 1.30:1 MAX @ 40 GHZ

FREQUENCY: 0-40 GHZ

ENVIRONMENTAL

-65°C TO +85° C

CORROSION: MIL-STD 202

VIBRATION: MIL-STD 202

MATERIALS PASSIVATED STAINLESS STEEL

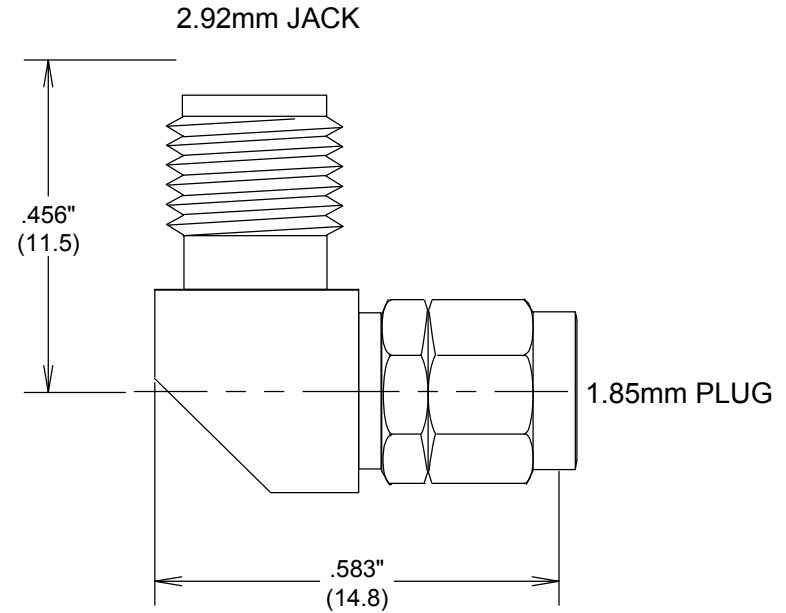
BODY: SST ASTM A484 / A582

BeCu ATSM-B-196

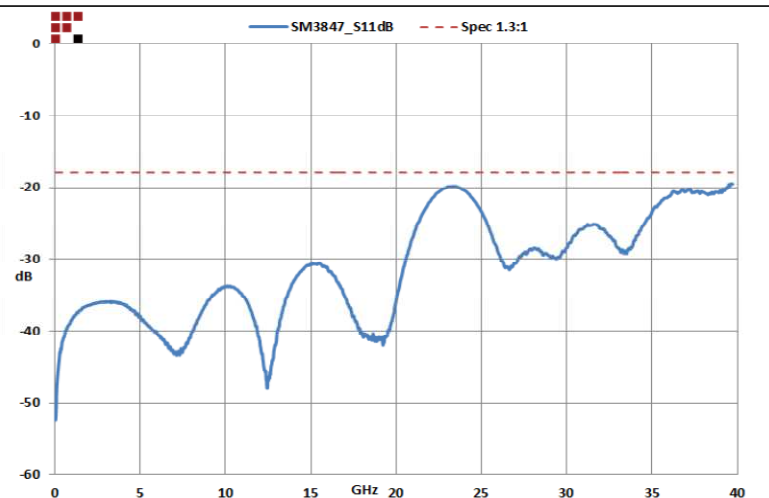
PASSIVATED ASTM A380

CENTER CONTACT PLATING: Ni PER MIL-G-45204

ROHS COMPLIANT



MEASUREMENTS BELOW ARE TYPICAL



FAIRVIEW MICROWAVE INC.

ALLEN, TX 75013 WWW.FAIRVIEWMICROWAVE.COM

TITLE

1.85/M-2.92/F RT ANGLE ADAPTER

SIZE

A

CAGE CODE

3FKR5

DWG NO

SM3847

REV

--

ALL DIMENSIONS IN inches(MM) Typical

SCALE

SHEET