

RA SHV Male (Plug) to SHV Female (Jack) Adapter, Nickel Plated Brass Body, High Temp, 1.2 VSWR

RA SHV plug to SHV jack adapter part number SM3855 from Fairview Microwave is in-stock and ships same day. This Fairview SHV to SHV adapter has a plug to jack gender configuration. SM3855 SHV plug to SHV jack adapter operates to 300 MHz. The Fairview Microwave RF adapter provides excellent VSWR of 1.2:1 maximum. This right angle SHV adapter allows for easier connections in tight spaces.

RF adapters can be used to enable connections between two connector types that would otherwise not mate. Certain RF adapter configurations can also be used to protect connectors on expensive equipment where the number of connect and disconnect cycles is high. An RF, microwave, or millimeter wave adapter is connected to the equipment and the commonly changed connection is made with the adapter which can be easily replaced when it wears out after high usage; such adapters are referred to as connector savers. Fairview Microwave also offers bulkhead, panel mount, hermetically sealed, reverse polarity, and isolated ground adapter varieties to serve all of your RF, microwave and millimeter wave needs.

Electrical Specifications

| Description | Min | Typ | Max | Units |
|-----------------|-----|-----|-------|-------|
| Frequency Range | DC | | 300 | MHz |
| VSWR | | | 1.2:1 | |

Electrical Specification Notes:
 Values at 25°C , sea level

Mechanical Specifications

Size

| | |
|--------|----------------------|
| Length | 1.500 in [38.1 mm] |
| Width | 1.365 in [34.67 mm] |
| Height | 0.57 in [14.48 mm] |
| Weight | 0.0525 lbs [23.81 g] |

| Description | Connector 1 | Connector 2 |
|-------------|-------------|-------------|
| Type | SHV Plug | SHV Jack |
| Polarity | Standard | Standard |



Configuration:

- SHV Plug Connector 1
- SHV Jack Connector 2
- 50 Ohm
- Right Angle Body Geometry

Features:

- VSWR of 1.2:1 max up to 300 MHz
- Contact plating according to QQ-S-365
- Silver Plated Beryllium Copper Contact

Applications:

- General Purpose Test

Fairview Microwave
 301 Leora Ln., Suite 100
 Lewisville, TX 75056
 Tel: 1-800-715-4396 / (972) 649-6678
 Fax: (972) 649-6689
www.fairviewmicrowave.com
sales@fairviewmicrowave.com

Material Specifications

| Description | Connector 1 | Connector 2 |
|------------------------|------------------|------------------|
| Type | SHV Plug | SHV Jack |
| Contact Material | Beryllium Copper | Beryllium Copper |
| Contact Plating | Silver | Silver |
| Contact Plating Spec. | QQ-S-365 | QQ-S-365 |
| Insulation Material | PTFE | PTFE |
| Outer Contact Material | | Brass |
| Outer Contact Plating | | Nickel |
| Body Material | Brass | Brass |
| Body Plating | Nickel | Nickel |
| Coupling Nut Material | Brass | |
| Coupling Nut Plating | Nickel | |

Environmental Specifications

Temperature

Operating Range -65 to +165 deg C

Compliance Certifications (see [product page](#) for current document)

Plotted and Other Data

Notes:

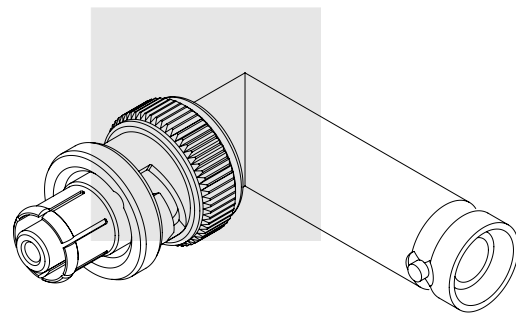
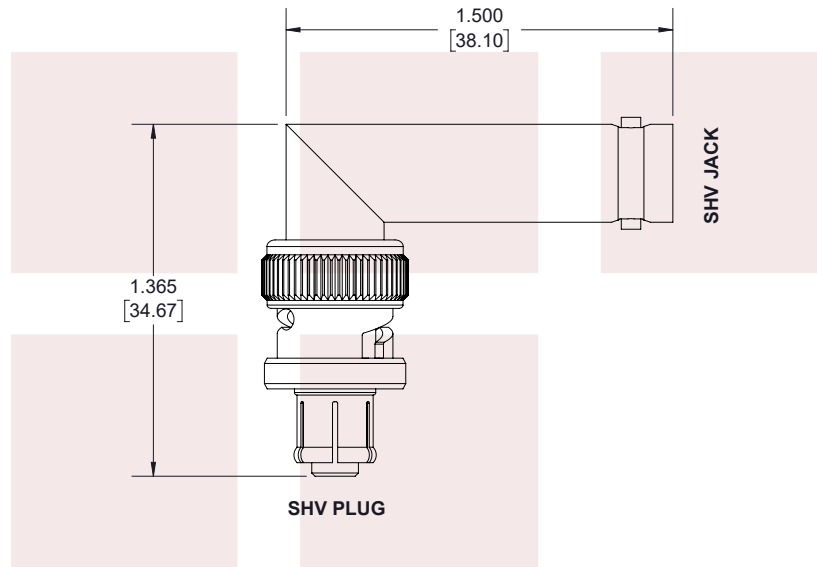
RA SHV Male (Plug) to SHV Female (Jack) Adapter, Nickel Plated Brass Body, High Temp, 1.2 VSWR from Fairview Microwave is in-stock and available to ship same-day. All of our RF/microwave products are available off-the-shelf from our ISO 9001:2008 certified facilities in Lewisville, Texas. Fairview Microwave is RF on-demand.

For additional information on this product, please click the following link: [RA SHV Male \(Plug\) to SHV Female \(Jack\) Adapter, Nickel Plated Brass Body, High Temp, 1.2 VSWR SM3855](#)

URL: <https://www.fairviewmicrowave.com/ra-shv-plug-shv-jack-adapter-sm3855-p.aspx>

The information contained in this document is accurate to the best of our knowledge and representative of the part described herein. It may be necessary to make modifications to the part and/or the documentation of the part, in order to implement improvements. Fairview Microwave reserves the right to make such changes as required. Unless otherwise stated, all specifications are nominal. Fairview Microwave does not make any representation or warranty regarding the suitability of the part described herein for any particular purpose, and Fairview Microwave does not assume any liability arising out of the use of any part or documentation.

| REVISIONS | | | |
|-----------|-------------|-----------|------------|
| REV. | DESCRIPTION | DATE | APPROVED |
| A | PCR SM3855 | 8/13/2021 | A. GANWANI |



THESE COMMODITIES, TECHNOLOGY OR SOFTWARE WERE EXPORTED FROM THE UNITED STATES IN ACCORDANCE WITH THE EXPORT ADMINISTRATION REGULATIONS. DIVERSION CONTRARY TO U.S. LAW PROHIBITED.

TITLE
RA SHV Male (Plug) to SHV Female (Jack) Adapter,
Nickel Plated Brass Body, High Temp, 1.2 VSWR

UNLESS OTHERWISE SPECIFIED LEADING DIMENSIONS ARE INCHES
DIMENSIONS IN [] ARE MILLIMETERS

| TOLERANCES: | | FRACTIONS | | CABLE LENGTH (L) TOLERANCES: | |
|--------------|--------|-------------|-------|------------------------------|---|
| .X = ±.2 | [.508] | 12 | [305] | L ≤ 12 | [305] = +1 [25] / -0 |
| .XX = ±.02 | [.51] | ± 1/32 | | 60 | [1524] < L ≤ 60 [1524] = +2 [51] / -0 |
| .XXX = ±.005 | [.13] | ANGLES ± 1° | | 120 | [3048] < L ≤ 120 [3048] = +4 [102] / -0 |
| | | | | 300 | [7620] < L ≤ 300 [7620] = +6 [152] / -0 |
| | | | | | 300 [7620] < L = +5%L / -0 |

THIRD-ANGLE PROJECTION
THE INFORMATION AND DESIGN IN THIS DOCUMENT IS THE PROPERTY OF FAIRVIEW MICROWAVE CORPORATION. ALL RIGHTS RESERVED.

| | | | | | | |
|--|-----------------|-----------------|-----------------|-----------|-------|--------------|
| ALL DIMENSIONS SHOWN ARE FOR REFERENCE ONLY. | | | | | | SHEET 1 OF 1 |
| SIZE A | CAGE CODE 3FKR5 | DRAWN BY K.DANG | ITEM NO. SM3855 | SCALE N/A | REV A | |

T-Rev.D