

1.85mm Female to 1.85mm Female Adapter

1.85mm female to 1.85mm female adapter part number SM3929 from Fairview Microwave is in-stock and ships same day. This Fairview 1.85mm to 1.85mm adapter has a female to female gender configuration. SM3929 1.85mm female to 1.85mm female adapter operates to 65 GHz. The Fairview Microwave RF adapter provides good VSWR of 1.33:1 maximum. The 1.85mm connector mates mechanically with commercially available 2.4mm connectors.

RF adapters can be used to enable connections between two connector types that would otherwise not mate. Certain RF adapter configurations can also be used to protect connectors on expensive equipment where the number of connect and disconnect cycles is high. An RF, microwave, or millimeter wave adapter is connected to the equipment and the commonly changed connection is made with the adapter which can be easily replaced when it wears out after high usage; such adapters are referred to as connector savers. Fairview Microwave also offers bulkhead, panel mount, hermetically sealed, reverse polarity, and isolated ground adapter varieties to serve all of your RF, microwave and millimeter wave needs.

Electrical Specifications

Description	Min	Typ	Max	Units
Frequency Range	DC		65	GHz
VSWR			1.33:1	
Insertion Loss			0.4	dB

Electrical Specification Notes:
 Values at 25°C, sea level.

Mechanical Specifications

Size		
Length		0.8 in [20.9 mm]
Weight		0.0137 lbs [6.21 g]

Description	Connector 1	Connector 2
Type	1.85mm Female	1.85mm Female
Polarity	Standard	Standard
Mating Cycles	500	500

Material Specifications

Description	Connector 1	Connector 2
Type	1.85mm Female	1.85mm Female
Contact Material	Beryllium Copper	Beryllium Copper
Contact Plating	Gold over Nickel	Gold over Nickel
Contact Plating Spec.	MIL-G-45204	MIL-G-45204
Insulation Material	Oxide-Noryl	Oxide-Noryl
Outer Contact Material	Passivated Stainless Steel	Passivated Stainless Steel
Outer Contact Plating Spec.	ASTM A380	ASTM A380



Configuration:

- 1.85mm Female Connector 1
- 1.85mm Female Connector 2
- 50 Ohm
- Straight Body Geometry

Features:

- VSWR of 1.33:1 max up to 65 GHz
- Contact plating according to MIL-G-45204
- Gold over Nickel Plated Beryllium Copper Contact

Applications:

- General Purpose Test

Fairview Microwave
 301 Leora Ln., Suite 100
 Lewisville, TX 75056
 Tel: 1-800-715-4396 / (972) 649-6678
 Fax: (972) 649-6689
www.fairviewmicrowave.com
sales@fairviewmicrowave.com

Environmental Specifications

Temperature

Operating Range

-55 to +100 deg C

Vibration

MIL-STD 202, Method 204, Condition D (20 G's)

Salt Spray

MIL-STD 202, Method 101, Condition B, 5% salt solution

Compliance Certifications (see [product page](#) for current document)

Plotted and Other Data

Notes:

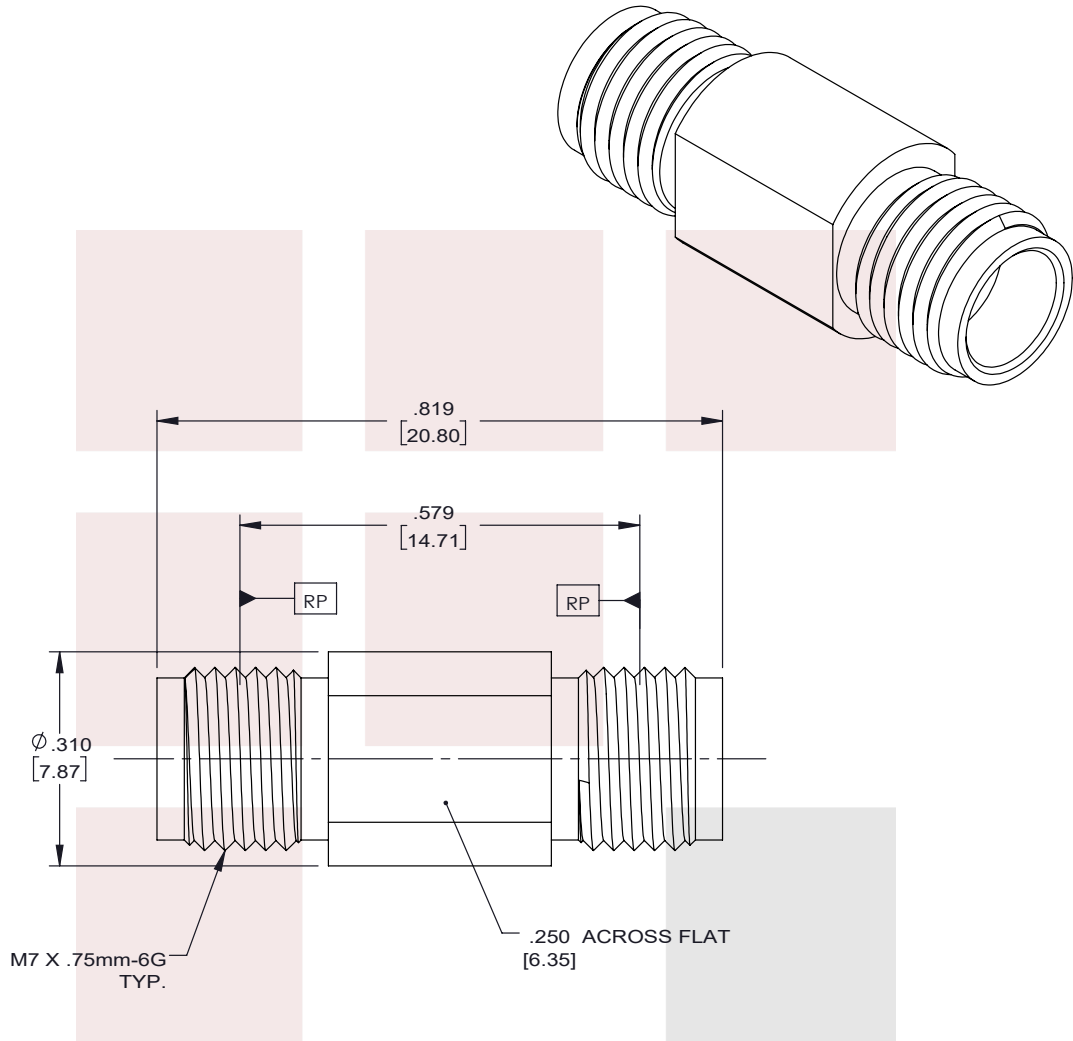
1.85mm Female to 1.85mm Female Adapter from Fairview Microwave is in-stock and available to ship same-day. All of our RF/microwave products are available off-the-shelf from our ISO 9001:2008 certified facilities in Lewisville, Texas. Fairview Microwave is RF on-demand.

For additional information on this product, please click the following link: [1.85mm Female to 1.85mm Female Adapter SM3929](#)

URL: <https://www.fairviewmicrowave.com/1.85mm-female-1.85mm-female-adapter-sm3929-p.aspx>

The information contained in this document is accurate to the best of our knowledge and representative of the part described herein. It may be necessary to make modifications to the part and/or the documentation of the part, in order to implement improvements. Fairview Microwave reserves the right to make such changes as required. Unless otherwise stated, all specifications are nominal. Fairview Microwave does not make any representation or warranty regarding the suitability of the part described herein for any particular purpose, and Fairview Microwave does not assume any liability arising out of the use of any part or documentation.

REVISIONS			
REV.	DESCRIPTION	DATE	APPROVED
A	PCR SM3929 20200526	06/17/20	SELLIS



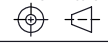
THESE COMMODITIES, TECHNOLOGY OR SOFTWARE WERE EXPORTED FROM THE UNITED STATES IN ACCORDANCE WITH THE EXPORT ADMINISTRATION REGULATIONS. DIVERSION CONTRARY TO U.S. LAW PROHIBITED.

TITLE
1.85mm Female to 1.85mm Female Adapter

UNLESS OTHERWISE SPECIFIED LEADING DIMENSIONS ARE INCHES
DIMENSIONS IN [] ARE MILLIMETERS

TOLERANCES:		CABLE LENGTH (L) TOLERANCES:	
.X = ±.2 [5.08]	FRACTIONS ± 1/32	L ≤ 12 [305] = +1 [25] / -0	
.XX = ±.02 [.51]		12 [305] < L ≤ 60 [1524] = +2 [51] / -0	
.XXX = ±.005 [.13]	ANGLES ± 1°	60 [1524] < L ≤ 120 [3048] = +4 [102] / -0	
		120 [3048] < L ≤ 300 [7620] = +6 [152] / -0	
		300 [7620] < L = +5%L / -0	

THIRD-ANGLE PROJECTION



THE INFORMATION AND DESIGN IN THIS DOCUMENT IS THE PROPERTY OF FAIRVIEW MICROWAVE CORPORATION. ALL RIGHTS RESERVED.

SHEET 1 OF 1

SCALE N/A

ALL DIMENSIONS SHOWN ARE FOR REFERENCE ONLY.

SIZE A	CAGE CODE 3FKR5	DRAWN BY SLI	ITEM NO. SM3929	REV A
-----------	--------------------	-----------------	--------------------	----------

T-Rev.D