

N Male to N Female Adapter

Type N male to type N female adapter part number SM4009 from Fairview Microwave is in-stock and ships same day. This Fairview type N to type N adapter has a male to female gender configuration. SM4009 type N male to type N female adapter operates to 18 GHz. The Fairview Microwave RF adapter provides excellent VSWR of 1.2:1 maximum.

RF adapters can be used to enable connections between two connector types that would otherwise not mate. Certain RF adapter configurations can also be used to protect connectors on expensive equipment where the number of connect and disconnect cycles is high. An RF, microwave, or millimeter wave adapter is connected to the equipment and the commonly changed connection is made with the adapter which can be easily replaced when it wears out after high usage; such adapters are referred to as connector savers. Fairview Microwave also offers bulkhead, panel mount, hermetically sealed, reverse polarity, and isolated ground adapter varieties to serve all of your RF, microwave and millimeter wave needs.

Electrical Specifications

Description	Min	Typ	Max	Units
Frequency Range	DC		18	GHz
VSWR			1.2:1	
Operating Voltage (AC)			1,000	Vrms
DWV (AC)			2,500	Vrms

Electrical Specification Notes:
 Values at 25°C, sea level.

Mechanical Specifications

Size		
Length		1.74 in [44.2 mm]
Width		0.79 in [20.07 mm]
Weight		0.121 lbs [54.88 g]

Description	Connector 1	Connector 2
Type	N Male	N Female
Polarity	Standard	Standard
Hex Size	20 mm	

Material Specifications

Description	Connector 1	Connector 2
Type	N Male	N Female
Contact Material	Beryllium Copper	Beryllium Copper
Contact Plating	Gold	Gold
Contact Plating Spec.	1.3 µm minimum	1.3 µm minimum
Insulation Material	PTFE	PTFE
Outer Contact Material		Passivated Stainless Steel
Body Material	Passivated Stainless Steel	
Coupling Nut Material	Passivated Stainless Steel	



Configuration:

- N Male Connector 1
- N Female Connector 2
- 50 Ohms
- Straight Body Geometry

Features:

- VSWR of 1.2:1 max up to 18 GHz
- 1.3 µm minimum contact plating
- Gold Plated Beryllium Copper Contact

Applications:

- Connector Saver
- General Purpose Test

Fairview Microwave
 1130 Junction Dr. #100
 Allen, TX 75013
 Tel: 1-800-715-4396 / (972) 649-6678
 Fax: (972) 649-6689
www.fairviewmicrowave.com
sales@fairviewmicrowave.com

Environmental Specifications

Temperature

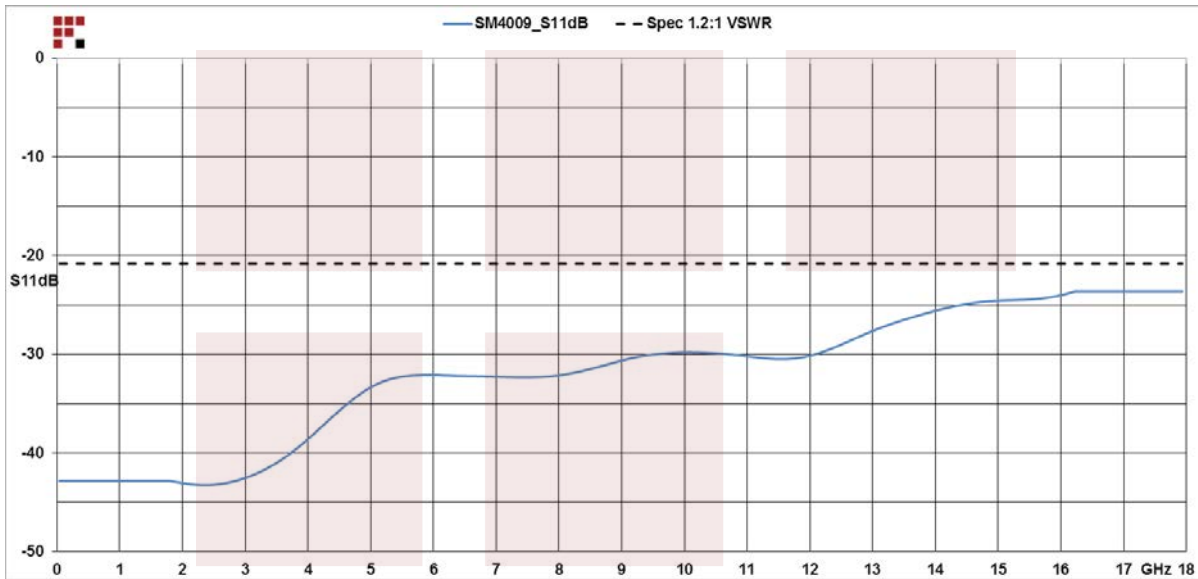
Operating Range -45 to +120 deg C

Compliance Certifications (see [product page](#) for current document)

Plotted and Other Data

Notes:

Typical Performance Data

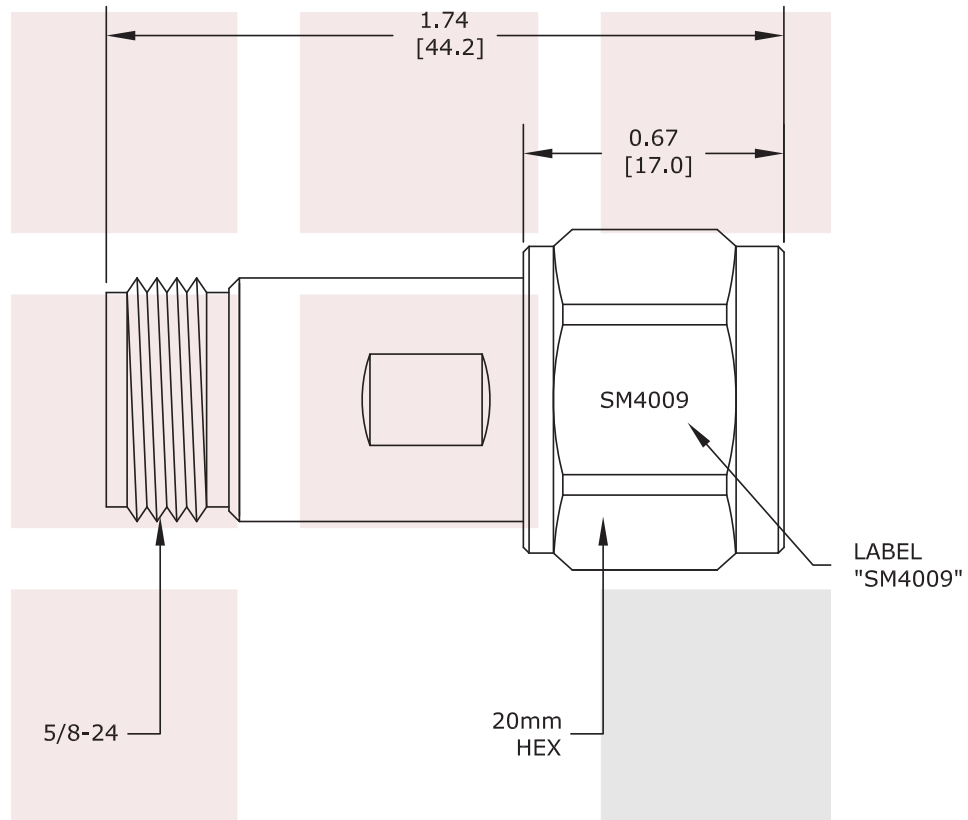


N Male to N Female Adapter from Fairview Microwave is in-stock and available to ship same-day. All of our RF/microwave products are available off-the-shelf from our ISO 9001:2008 certified facilities in Allen, Texas. Fairview Microwave is RF on-demand.

For additional information on this product, please click the following link: [N Male to N Female Adapter SM4009](#)

URL: <https://www.fairviewmicrowave.com/n-male-n-female-adapter-sm4009-p.aspx>

The information contained in this document is accurate to the best of our knowledge and representative of the part described herein. It may be necessary to make modifications to the part and/or the documentation of the part, in order to implement improvements. Fairview Microwave reserves the right to make such changes as required. Unless otherwise stated, all specifications are nominal. Fairview Microwave does not make any representation or warranty regarding the suitability of the part described herein for any particular purpose, and Fairview Microwave does not assume any liability arising out of the use of any part or documentation.



FAIRVIEW MICROWAVE INC. ALLEN, TX 75013 WWW.FAIRVIEWMICROWAVE.COM		NOTES: 1. UNLESS OTHERWISE SPECIFIED ALL DIMENSIONS ARE NOMINAL. 2. ALL SPECIFICATIONS ARE SUBJECT TO CHANGE WITHOUT NOTICE AT ANY TIME. 3. DIMENSIONS ARE IN INCHES [mm].			
TITLE N Male to N Female Adapter		DWG NO SM4009		CAGE CODE 3FKR5	
CAD FILE 111815		SHEET	SCALE N/A	SIZE A	150