

Precision N Female to TNC Male Adapter

Type N female to TNC male adapter part number SM4142B from Fairview Microwave is in-stock and ships same day. This Fairview type N to TNC adapter has a female to male gender configuration in a precision design. SM4142B type N female to TNC male adapter operates to 18 GHz. The Fairview Microwave RF adapter provides excellent VSWR of 1.2:1 maximum.

RF adapters can be used to enable connections between two connector types that would otherwise not mate. Certain RF adapter configurations can also be used to protect connectors on expensive equipment where the number of connect and disconnect cycles is high. An RF, microwave, or millimeter wave adapter is connected to the equipment and the commonly changed connection is made with the adapter which can be easily replaced when it wears out after high usage; such adapters are referred to as connector savers. Fairview Microwave also offers bulkhead, panel mount, hermetically sealed, reverse polarity, and isolated ground adapter varieties to serve all of your RF, microwave and millimeter wave needs.

Electrical Specifications

Description	Min	Typ	Max	Units
Frequency Range	DC		18	GHz
VSWR			1.2:1	
Insertion Loss			0.22	dB

Specifications by Frequency

Description	F1	F2	F3	F4	F5	Units
Frequency Range	DC to 15	15 to 18				GHz
VSWR, Max	1.15:1	1.2:1				

Electrical Specification Notes:
Values at 25°C, sea level.

Mechanical Specifications

Size
Length 1.85 in [46.99 mm]

Description	Connector 1	Connector 2
Type	N Female	TNC Male
Polarity	Standard	Standard
Mating Cycles	500	500
Hex Size		9/16 in.



Configuration:

- N Female Connector 1
- TNC Male Connector 2
- 50 Ohm
- Precision Design
- Straight Body Geometry

Features:

- VSWR of 1.2:1 max up to 18 GHz
- Contact plating according to MIL-G-45204
- Gold over Nickel Plated Beryllium Copper Contact

Applications:

- Enables Between Series Connections
- General Purpose Test
- Precision Test & Measurement

Fairview Microwave
301 Leora Ln., Suite 100
Lewisville, TX 75056
Tel: 1-800-715-4396 / (972) 649-6678
Fax: (972) 649-6689
www.fairviewmicrowave.com
sales@fairviewmicrowave.com

Material Specifications

Description	Connector 1	Connector 2
Type	N Female	TNC Male
Contact Material	Beryllium Copper	Beryllium Copper
Contact Plating	Gold over Nickel	Gold over Nickel
Contact Plating Spec.	MIL-G-45204	MIL-G-45204
Insulation Material	PTFE	PTFE
Outer Contact Material	Passivated Stainless Steel	
Outer Contact Plating Spec.	ASTM A380	
Body Material		Passivated Stainless Steel
Body Plating Spec.		ASTM A380
Coupling Nut Material		Passivated Stainless Steel
Coupling Nut Plating Spec.		ASTM A380

Environmental Specifications

Temperature

Operating Range

-55 to +100 deg C

Vibration

MIL-STD 202, Method 204, Condition D (20 G's)

Salt Spray

MIL-STD 202, Method 101, Condition B, 5% salt solution

Compliance Certifications (see [product page](#) for current document)

Plotted and Other Data

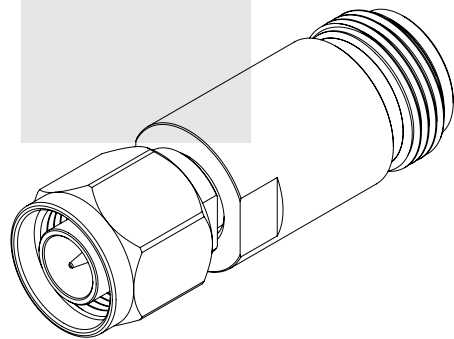
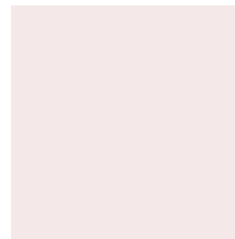
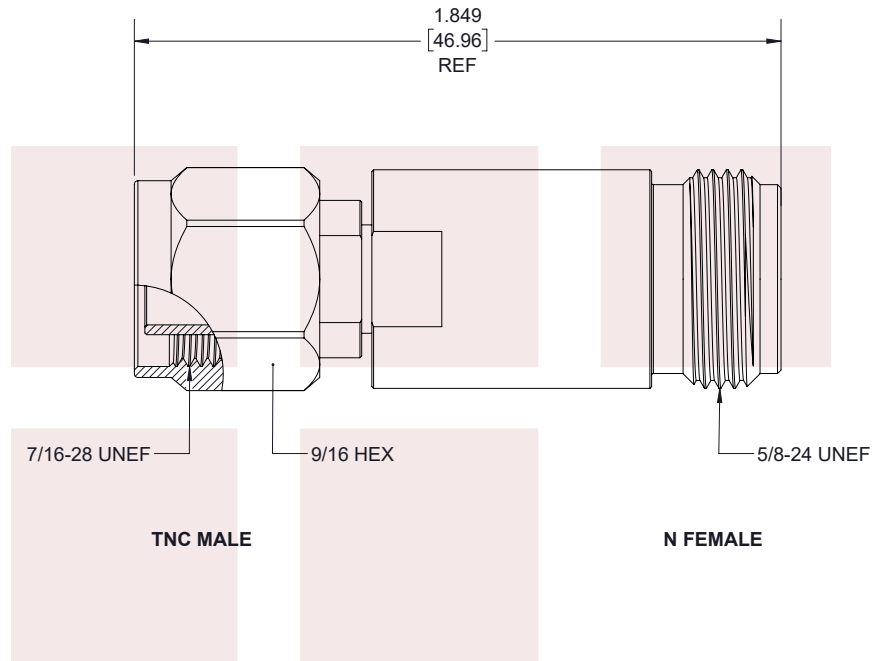
Notes:

Precision N Female to TNC Male Adapter from Fairview Microwave is in-stock and available to ship same-day. All of our RF/microwave products are available off-the-shelf from our ISO 9001:2008 certified facilities in Allen, Texas. Fairview Microwave is RF on-demand.

For additional information on this product, please click the following link: [Precision N Female to TNC Male Adapter SM4142B](#)


URL: <https://www.fairviewmicrowave.com/precision-n-female-tnc-male-adapter-sm4142b-p.aspx>

The information contained in this document is accurate to the best of our knowledge and representative of the part described herein. It may be necessary to make modifications to the part and/or the documentation of the part, in order to implement improvements. Fairview Microwave reserves the right to make such changes as required. Unless otherwise stated, all specifications are nominal. Fairview Microwave does not make any representation or warranty regarding the suitability of the part described herein for any particular purpose, and Fairview Microwave does not assume any liability arising out of the use of any part or documentation.



STANDARD TOLERANCES	
.X	±0.2
.XX	±0.01
.XXX	±0.005

*STANDARD TOLERANCES APPLY ONLY TO DIMENSIONS IN INCHES

		NOTES: 1. UNLESS OTHERWISE SPECIFIED ALL DIMENSIONS ARE NOMINAL. 2. ALL SPECIFICATIONS ARE SUBJECT TO CHANGE WITHOUT NOTICE AT ANY TIME. 3. DIMENSIONS ARE IN INCHES [mm].					
TITLE Precision N Female to TNC Male Adapter		DWG NO SM4142B			CAGE CODE 3FKR5		
CAD FILE	04/11/19	SHEET	1 OF 1	SCALE	N/A	SIZE A	7361