

## Bulkhead SMA Female to N Female Adapter

Bulkhead SMA female to type N female adapter part number SM4234 from Fairview Microwave is in-stock and ships same day. This Fairview SMA to type N adapter has a female to female gender configuration. SM4234 SMA female to type N female adapter operates to 18 GHz. The SMA connector mates mechanically with commercially available 3.5mm and 2.92mm (K) connectors. Our RF SMA bulkhead to type N adapter allows designers to create external connections on their product enclosures, and can be used in a variety of other rack mount and panel mount applications. The Fairview Microwave RF adapter provides excellent VSWR of 1.2:1 maximum.

RF adapters can be used to enable connections between two connector types that would otherwise not mate. Certain RF adapter configurations can also be used to protect connectors on expensive equipment where the number of connect and disconnect cycles is high. An RF, microwave, or millimeter wave adapter is connected to the equipment and the commonly changed connection is made with the adapter which can be easily replaced when it wears out after high usage; such adapters are referred to as connector savers. Fairview Microwave also offers bulkhead, panel mount, hermetically sealed, reverse polarity, and isolated ground adapter varieties to serve all of your RF, microwave and millimeter wave needs.

### Electrical Specifications

| Description     | Min | Typ | Max   | Units |
|-----------------|-----|-----|-------|-------|
| Frequency Range | DC  |     | 18    | GHz   |
| VSWR            |     |     | 1.2:1 |       |

Electrical Specification Notes:  
Values at 25°C, sea level.

### Mechanical Specifications

| Size   |                     |
|--------|---------------------|
| Length | 1.502 in [38.15 mm] |
| Width  | 0.87 in [22.1 mm]   |
| Weight | 0.095 lbs [43.09 g] |

| Description   | Connector 1 | Connector 2 |
|---------------|-------------|-------------|
| Type          | SMA Female  | N Female    |
| Polarity      | Standard    | Standard    |
| Mating Cycles | 500         | 500         |

### Material Specifications

| Description                 | Connector 1                | Connector 2                |
|-----------------------------|----------------------------|----------------------------|
| Type                        | SMA Female                 | N Female                   |
| Contact Material            | Beryllium Copper           | Beryllium Copper           |
| Contact Plating             | Gold over Nickel           | Gold over Nickel           |
| Contact Plating Spec.       | MIL-G-45204                | MIL-G-45204                |
| Insulation Material         | PTFE                       | PTFE                       |
| Outer Contact Material      | Passivated Stainless Steel | Passivated Stainless Steel |
| Outer Contact Plating Spec. | ASTM A380                  | ASTM-A380                  |



### Configuration:

- SMA Female Connector 1
- N Female Connector 2
- 50 Ohms
- Straight Body Geometry
- Bulkhead Mount Method

### Features:

- VSWR of 1.2:1 max up to 18 GHz
- Contact plating according to MIL-G-45204
- Gold over Nickel Plated Beryllium Copper Contact

### Applications:

- Enables Between Series Connections
- General Purpose Test
- Rack Mounted Equipment

Fairview Microwave  
1130 Junction Dr. #100  
Allen, TX 75013  
Tel: 1-800-715-4396 / (972) 649-6678  
Fax: (972) 649-6689  
[www.fairviewmicrowave.com](http://www.fairviewmicrowave.com)  
[sales@fairviewmicrowave.com](mailto:sales@fairviewmicrowave.com)

**Environmental Specifications**

**Temperature**

Operating Range

-55 to +100 deg C

Vibration

MIL-STD 202, Method 204, Condition D (20 G's)

Salt Spray

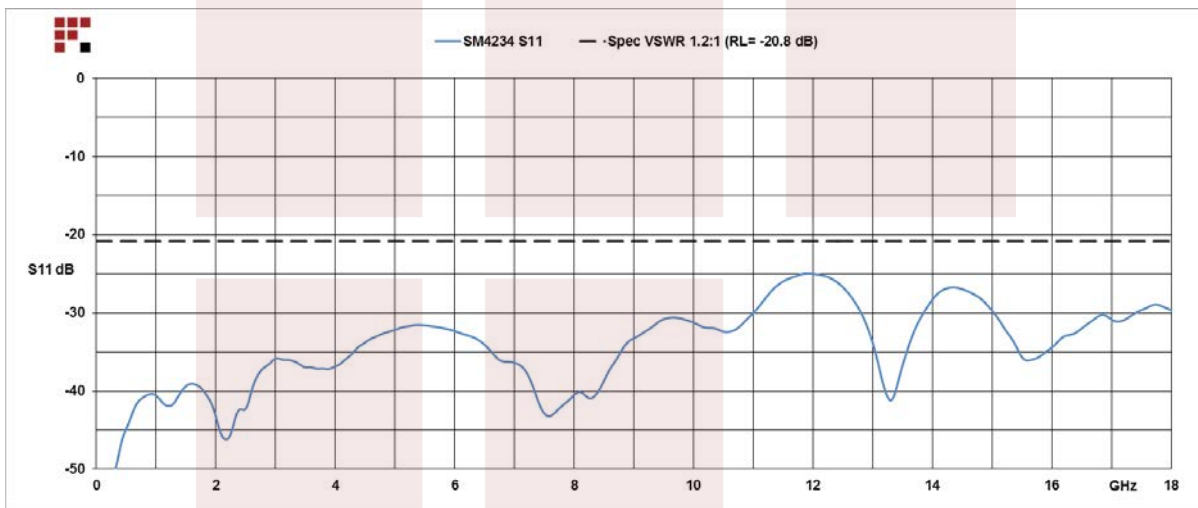
MIL-STD 202, Method 101, Condition B, 5% salt solution

**Compliance Certifications** (see [product page](#) for current document)

**Plotted and Other Data**

Notes:

**Typical Performance Data**

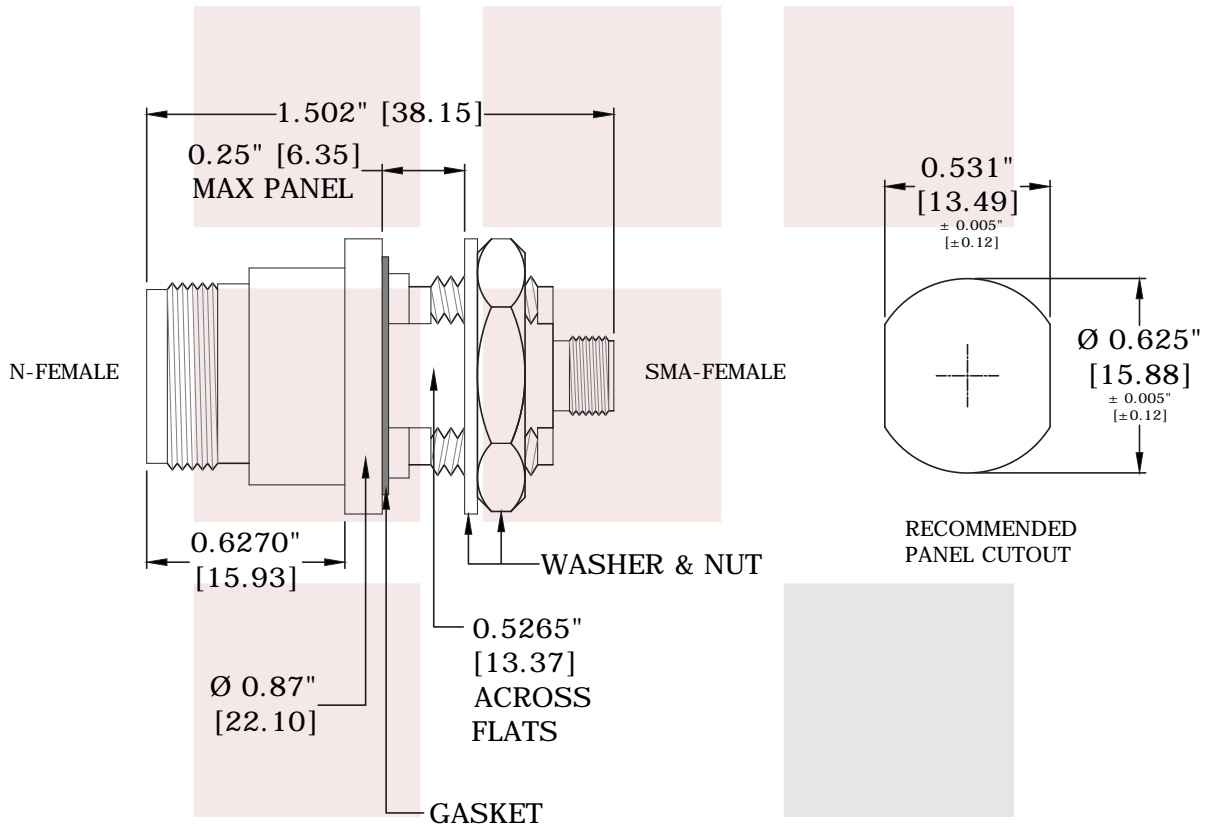


Bulkhead SMA Female to N Female Adapter from Fairview Microwave is in-stock and available to ship same-day. All of our RF/microwave products are available off-the-shelf from our ISO 9001:2008 certified facilities in Allen, Texas. Fairview Microwave is RF on-demand.

For additional information on this product, please click the following link: [Bulkhead SMA Female to N Female Adapter SM4234](#)

URL: <https://www.fairviewmicrowave.com/bulkhead-sma-female-n-female-adapter-sm4234-p.aspx>

The information contained in this document is accurate to the best of our knowledge and representative of the part described herein. It may be necessary to make modifications to the part and/or the documentation of the part, in order to implement improvements. Fairview Microwave reserves the right to make such changes as required. Unless otherwise stated, all specifications are nominal. Fairview Microwave does not make any representation or warranty regarding the suitability of the part described herein for any particular purpose, and Fairview Microwave does not assume any liability arising out of the use of any part or documentation.



|   |        |   |       |                           |             |
|---|--------|---|-------|---------------------------|-------------|
| <b>FAIRVIEW MICROWAVE INC.</b><br>ALLEN, TX 75013 WWW.FAIRVIEWMICROWAVE.COM |        | NOTES:<br>1. UNLESS OTHERWISE SPECIFIED ALL DIMENSIONS ARE NOMINAL.<br>2. ALL SPECIFICATIONS ARE SUBJECT TO CHANGE WITHOUT NOTICE AT ANY TIME.<br>3. DIMENSIONS ARE IN INCHES [mm]. |       |                           |             |
| TITLE<br>Bulkhead SMA Female to N Female Adapter                            |        | DWG NO<br><b>SM4234</b>   |       | CAGE CODE<br><b>3FKR5</b> |             |
| CAD FILE  | 070715 | SHEET   | SCALE | N/A                       | SIZE A 5568 |