

N-N F/F BULKHEAD RIGHT ANGLE

SM4524

SPECIFICATIONS

ELECTRICAL

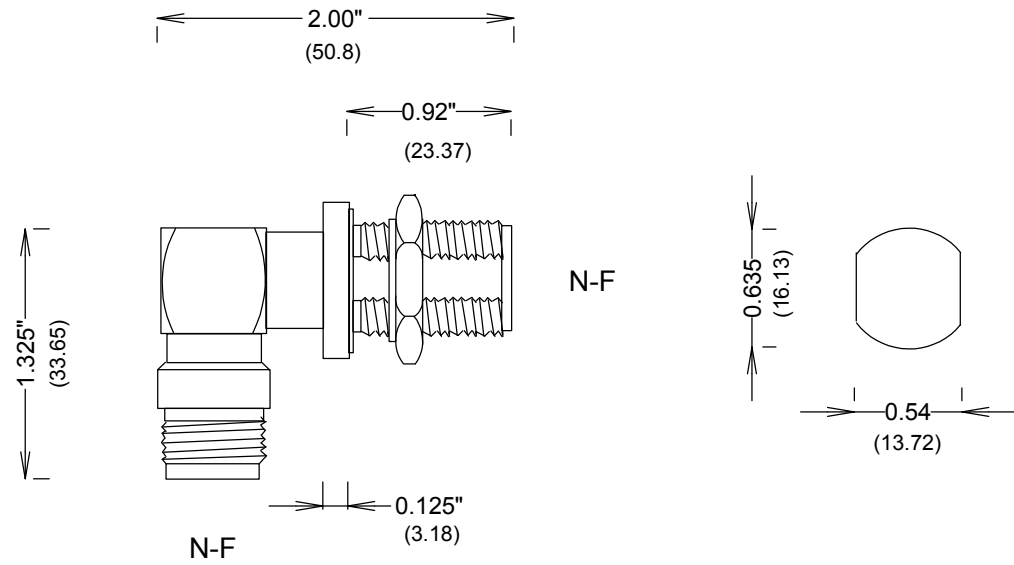
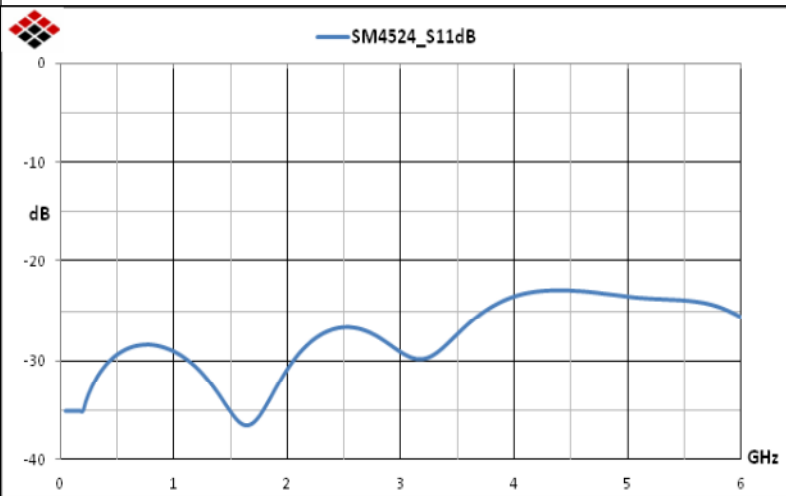
FREQUENCY: 0-6 GHZ
 IMPEDANCE: 50 OHMS
 VSWR: 1.2:1 MAX

MATERIALS BODY NICKEL PLATED BRASS
 MATERIALS CONTACTS : BeCu
 CONTACT PLATING: Au PER MIL-G-45204
 INTERFACE: MIL-STD-883

DURABILITY: 500 CYCLES MIN
 OPERATIVE TEMPERATURE: -55 to 120°C

ROHS COMPLIANT

MEASUREMENTS BELOW ARE TYPICAL



ALL DIMENSIONS IN inches(MM) Typical

FAIRVIEW MICROWAVE INC.			
ALLEN, TX 75013 WWW.FAIRVIEWMICROWAVE.COM			
TITLE			
N-N F/F BULKHEAD RIGHT ANGLE			
SIZE	CAGE CODE	DWG NO	REV
A	3FKR5	SM4524	A
SCALE	SHEET		