

N-N M/F ADAPTER SWEPT 90DEG 18GHZ

SM4528

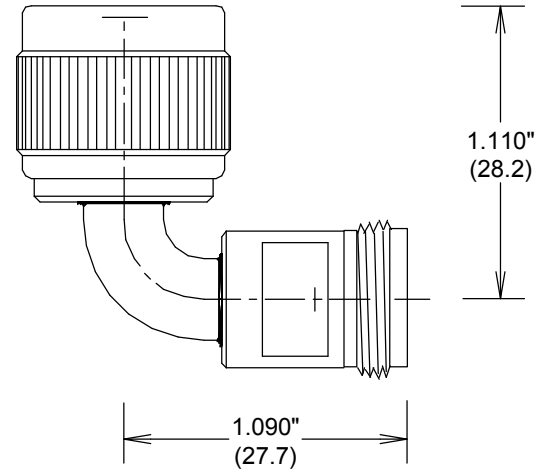
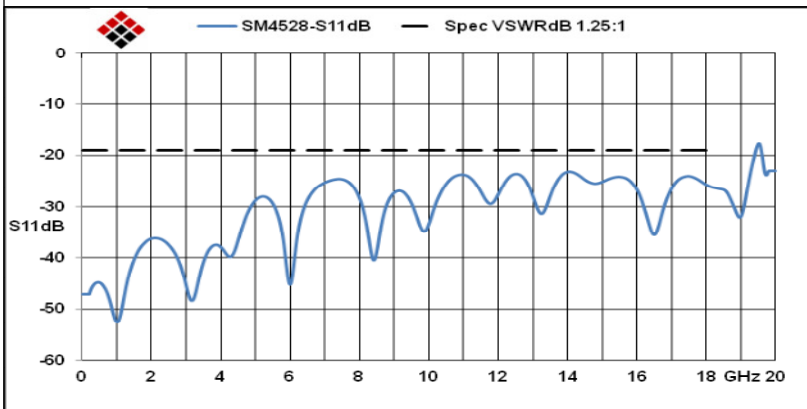
SPECIFICATIONS

ELECTRICAL:
 FREQUENCY: 0-18 GHZ
 IMPEDANCE: 50 OHMS
 VSWR: 1.25:1 @ 18 GHZ
 INSERTION LOSS: 0.15 dB MAX
 WORKING VOLTAGE:
 500Vrms @ SEA LEVEL
 125Vrms @ 70,000 FT
 RF LEAKAGE: -90 dB min 2 to 3 GHZ

MECHANICAL:
 MATERIALS BODY: PASSIVATED S STEEL
 CENTER CONDUCTOR: BeCu ALLOY PER ASTM B-196
 MATERIALS CONTACTS: AU PLATE OVER Ni, ASTM B-48B
 GASKET: SILICON RUBBER
 INSULATOR: PTFE
 INTERFACE: MIL-STD-348
 DURABILITY: 500 CYCLES MIN

CORROSION: MIL-STD-202
 VIBRATION: MIL-STD-202
 SHOCK: MIL-STD-202
 ENVIRONMENTAL:
 -65° to +165° C
 ROHS COMPLIANT

MEASUREMENTS BELOW ARE TYPICAL



FAIRVIEW MICROWAVE INC.

ALLEN, TX 75013 WWW.FAIRVIEWMICROWAVE.COM

TITLE

N-N M/F ADAPTER SWEPT 90DEG 18GHZ

SIZE	CAGE CODE	DWG NO	REV
A	3FKR5	SM4528	--
SCALE		SHEET	

ALL DIMENSIONS IN inches(mm) Typical