

**N T Adapter Female Male Female**

**Electrical Specifications**

Frequency Range	DC to 4 GHz
Dielectric Withstanding Voltage	2,500 Vrms

**Mechanical Specifications**

<b>Size</b>	
Length	1.75 in [44.45 mm]
Height	1.48 in [37.59 mm]
Weight	0.17637 lbs [80 g]

**Connector 1**

Type	N Female
Mating Cycles	500
Inner Conductor Material and Plating	Beryllium Copper, Gold
Body Material and Plating	Brass, Tri-Metal
Dielectric Type	PTFE

**Connector 2**

Type	N Male
Mating Cycles	500
Inner Conductor Material and Plating	Brass, Gold
Body Material and Plating	Brass, Tri-Metal
Dielectric Type	PTFE

**Connector 3**

Type	N Female
Mating Cycles	500
Inner Conductor Material and Plating	Beryllium Copper, Gold
Body Material and Plating	Brass, Tri-Metal
Dielectric Type	PTFE

**Environmental Specifications**

**Temperature**

Operating Range	-65 to +165 deg C
-----------------	-------------------

**Compliance Certifications** (visit [www.FairviewMicrowave.com](http://www.FairviewMicrowave.com) for current document)

RoHS Compliant	Yes
----------------	-----

**Plotted and Other Data**

Notes:

- Values at 25 °C, sea level



**Features:**

- Connector 1: N Female
- Impedance 1: 50 Ohms
- Connector 2: N Male
- Impedance 2: 50 Ohms
- Connector 3: N Female
- Adapter Design: Standard
- Body Style: Tee

Fairview Microwave  
 1130 Junction Dr. #100  
 Allen, TX 75013  
 Tel: 1-800-715-4396 / (972) 649-6678  
 Fax: (972) 649-6689  
[www.fairviewmicrowave.com](http://www.fairviewmicrowave.com)  
[sales@fairviewmicrowave.com](mailto:sales@fairviewmicrowave.com)

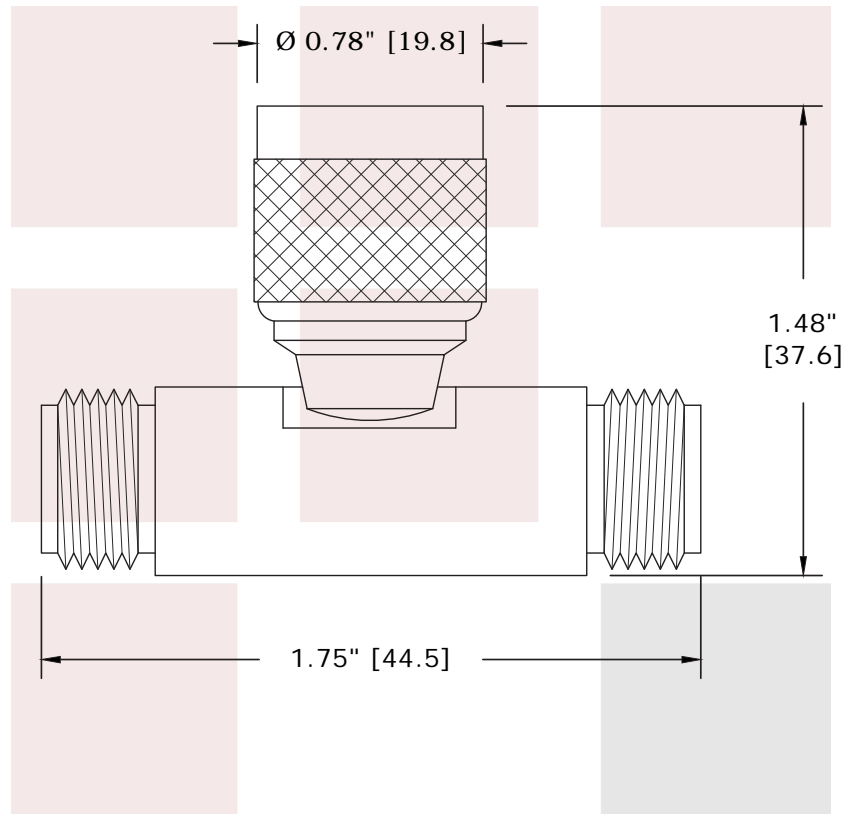
N T Adapter Female Male Female from Fairview Microwave is in-stock and available to ship same-day. All of our RF/microwave products are available off-the-shelf from our ISO 9001:2008 certified facilities in Allen, Texas. Fairview Microwave is RF on-demand.

For additional information on this product, please click the following link: [N T Adapter Female Male Female SM4575](#)

URL: <http://www.fairviewmicrowave.com/n-female-male-female-tee-adapter-sm4575-p.aspx>

The information contained in this document is accurate to the best of our knowledge and representative of the part described herein. It may be necessary to make modifications to the part and/or the documentation of the part, in order to implement improvements. Fairview Microwave reserves the right to make such changes as required. Unless otherwise stated, all specifications are nominal. Fairview Microwave does not make any representation or warranty regarding the suitability of the part described herein for any particular purpose, and Fairview Microwave does not assume any liability arising out of the use of any part or documentation.





<b>FAIRVIEW MICROWAVE INC.</b> ALLEN, TX 75013 WWW.FAIRVIEWMICROWAVE.COM		NOTES: 1. UNLESS OTHERWISE SPECIFIED ALL DIMENSIONS ARE NOMINAL. 2. ALL SPECIFICATIONS ARE SUBJECT TO CHANGE WITHOUT NOTICE AT ANY TIME. 3. DIMENSIONS ARE IN INCHES [mm].			
TITLE N T Adapter Female Male Female		DWG NO SM4575		CAGE CODE 3FKR5	
CAD FILE	011415	SHEET	SCALE	N/A	SIZE A 5568