

# ADAPTER LC/F-LC/F

SM4591

## SPECIFICATIONS

### ELECTRICAL

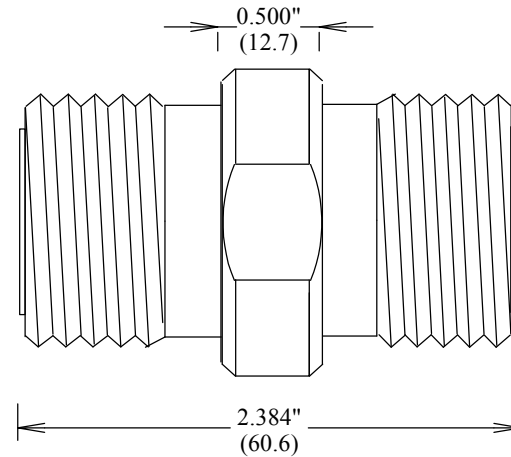
FREQUENCY: 1 GHZ  
IMPEDANCE: 50 OHMS  
VSWR: 1.2:1

### MECHANICAL

MATERIALS BODY: NICKEL PLATED BRASS  
MATERIALS CONTACTS BeCu  
CONTACT PLATING Si QQ-S-365  
INTERFACE: MIL-STD-348A  
INSULATOR: TEFLON

OP TEMP -55-110° C

ROHS COMPLIANT



**FAIRVIEW MICROWAVE INC.**

ALLEN, TX 75013 WWW.FAIRVIEWMICROWAVE.COM

TITLE

**ADAPTER LC/F-LC/F**

ALL DIMENSIONS IN inches(MM) Typical	SIZE	CAGE CODE	DWG NO	REV
	<b>A</b>	<b>3FKR5</b>	<b>SM4591</b>	--
	SCALE		SHEET	