

ADAPTER LC/M-LC/F R ANGLE

SM4597

SPECIFICATIONS

ELECTRICAL

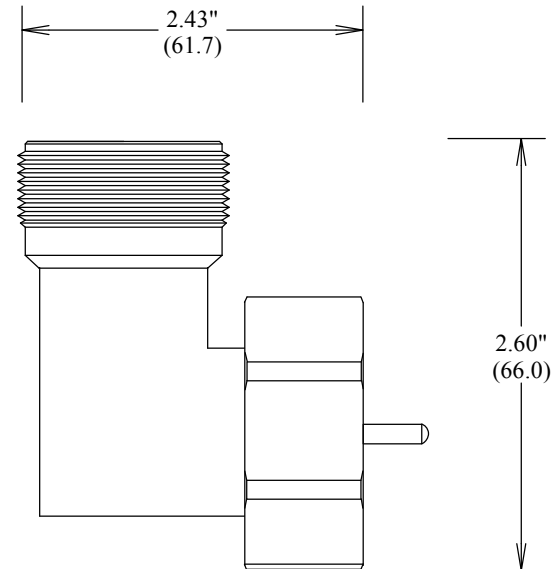
FREQUENCY: 0-12 GHZ
IMPEDANCE: 50 OHMS
VSWR: 1.25:1 MAX

MECHANICAL

MATERIALS BODY: BRASS NI PLATING
MATERIALS CONTACTS BeCu
CONTACT PLATING Au PER MIL-G-45204
INTERFACE: MIL-STD-348A
INSULATOR: TEFLON

OP TEMP -55° TO +125° C

ROHS COMPLIANT



FAIRVIEW MICROWAVE INC.

ALLEN, TX 75013 WWW.FAIRVIEWMICROWAVE.COM

TITLE

ADAPTER LC/M-LC/F R ANGLE

ALL DIMENSIONS IN inches(MM) Typical	SIZE	CAGE CODE	DWG NO	REV
	A	3FKR5	SM4597	--
	SCALE		SHEET	