

# LC-JACK/N-PLUG ADPT

SM4601

## SPECIFICATIONS

### ELECTRICAL

FREQUENCY: 0-4 GHz  
 IMPEDANCE: 50 OHMS  
 VSWR: 1.2:1 MAX

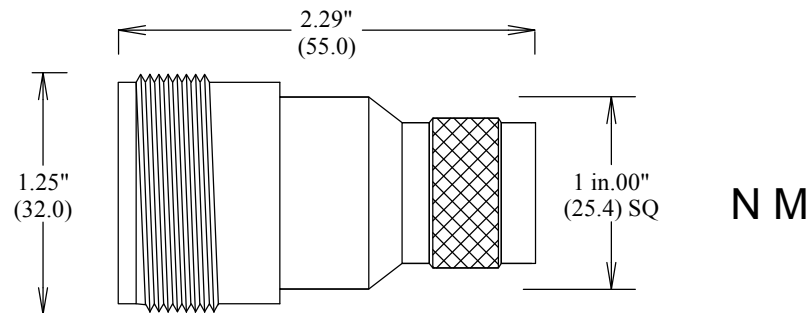
### MECHANICAL

MATERIALS BODY NICKEL PLATED BRASS  
 MATERIALS CONTACTS BeCu, Si PLATING MIL-G-45204  
 INSULATOR: TEFLON  
 IN ACCORDANCE WITH MIL-PRF-39012 & MIL-STD-348

TEMPERATURE RANGE: -55 to +110°C

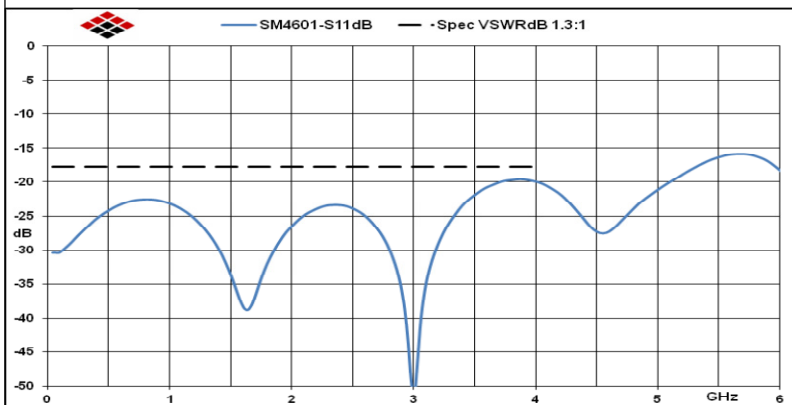
ROHS COMPLIANT

LC F



N M

MEASUREMENTS BELOW ARE TYPICAL



ALL DIMENSIONS IN inches(MM) Typical

**FAIRVIEW MICROWAVE INC.**

ALLEN, TX 75013 WWW.FAIRVIEWMICROWAVE.COM

TITLE

**LC-JACK/N-PLUG ADPT**

SIZE <b>A</b>	CAGE CODE <b>3FKR5</b>	DWG NO <b>SM4601</b>	REV <b>A</b>
------------------	---------------------------	-------------------------	-----------------

SCALE	SHEET
-------	-------