

HN-M TO N-M ADAPTER 4GHZ

SM4635

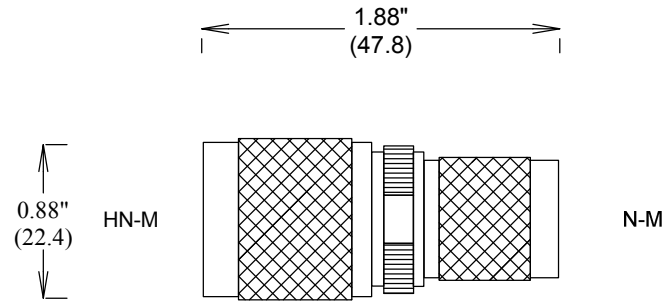
SPECIFICATIONS

ELECTRICAL

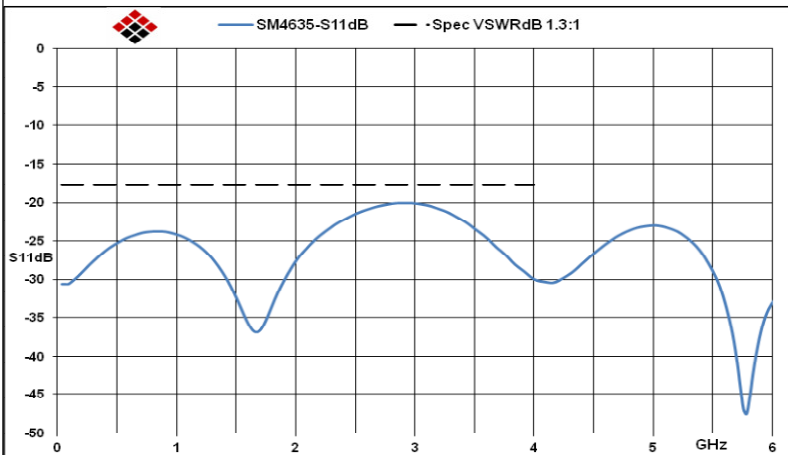
FREQUENCY: 0-4 GHZ
 IMPEDANCE: 50 OHMS
 VSWR: 1.3:1 MAX
 MECHANICAL

MATERIAL BODY: NICKEL PLATED BRASS
 CONTACTS MALE: BRASS
 CONTACT PLATING: Au MIL-G-45204
 INSULATOR: TEFLON
 INTERFACE: MIL-STD-348

ROHS COMPLIANT



MEASUREMENTS BELOW ARE TYPICAL



ALL DIMENSIONS IN inches(MM) Typical

FAIRVIEW MICROWAVE INC.			
ALLEN, TX 75013 WWW.FAIRVIEWMICROWAVE.COM			
TITLE			
HN-M TO N-M ADAPTER 4GHZ			
SIZE	CAGE CODE	DWG NO	REV
A	3FKR5	SM4635	A
SCALE	SHEET		