

# HN - 7/16 ADAPTERS

SM4643

## SPECIFICATIONS

### ELECTRICAL

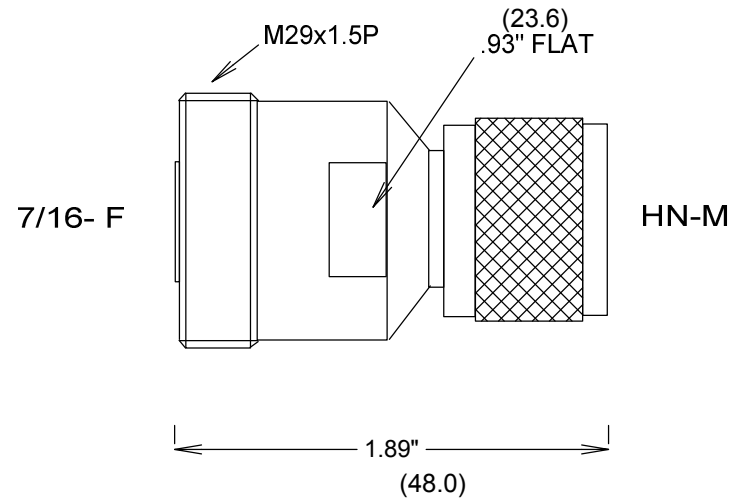
FREQUENCY: 0-4 GHZ  
 IMPEDANCE: 50 OHMS  
 VSWR: 1.2 @ 1 GHZ  
 1.5 @ 4 GHZ

### MECHANICAL

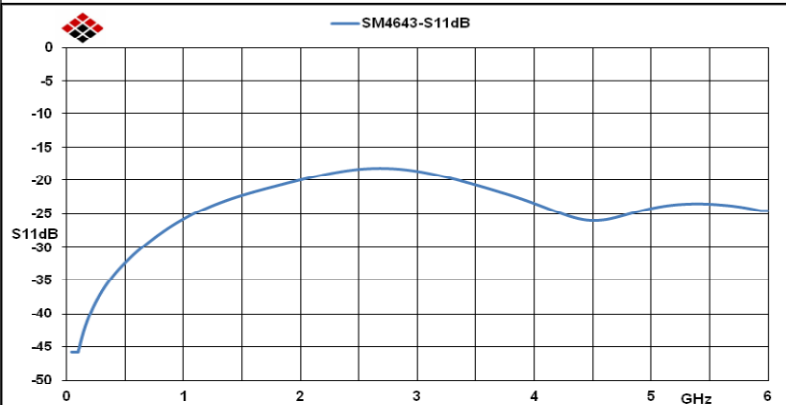
MATERIALS BODY: NICKEL PLATED BRASS  
 MATERIALS CONTACTS BeCu(F), BRASS(M)  
 CONTACT PLATING: Au 30 μ-in  
 INSULATOR: TEFLON  
 RECOMMENDED TORQUE 7-16 221 IN-LBS  
 DURABILITY: 500 CYCLES MIN  
 INTERFACE: MIL-STD-348

OPERATING TEMP: -55° TO +120° C

ROHS COMPLIANT



MEASUREMENTS BELOW ARE TYPICAL



ALL DIMENSIONS IN inches(MM) Typical

<b>FAIRVIEW MICROWAVE INC.</b>			
ALLEN, TX 75013 WWW.FAIRVIEWMICROWAVE.COM			
TITLE			
<b>HN - 7/16 ADAPTERS</b>			
SIZE	CAGE CODE	DWG NO	REV
<b>A</b>	3FKR5	<b>SM4643</b>	--
SCALE		SHEET	