

N/M - 7/16 M ADAPTER LOW PIM

SM4690A

SPECIFICATIONS

ELECTRICAL

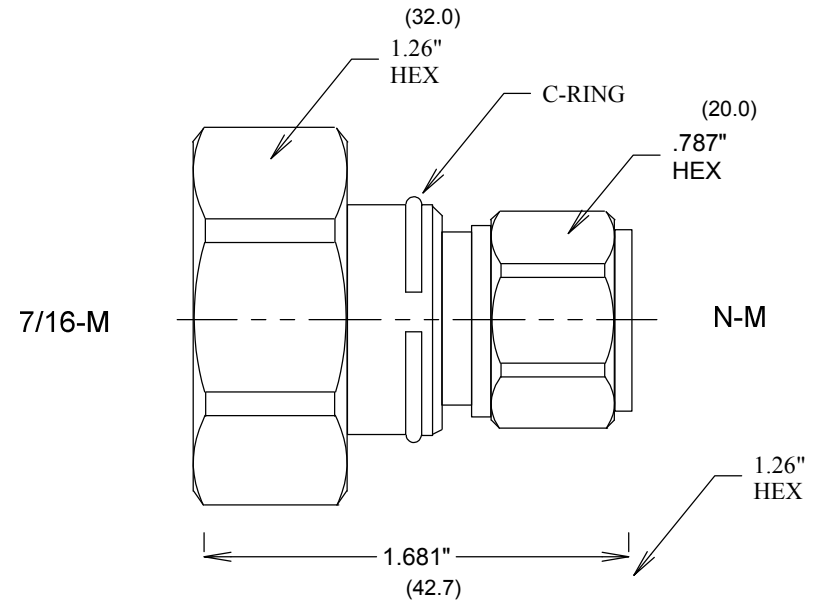
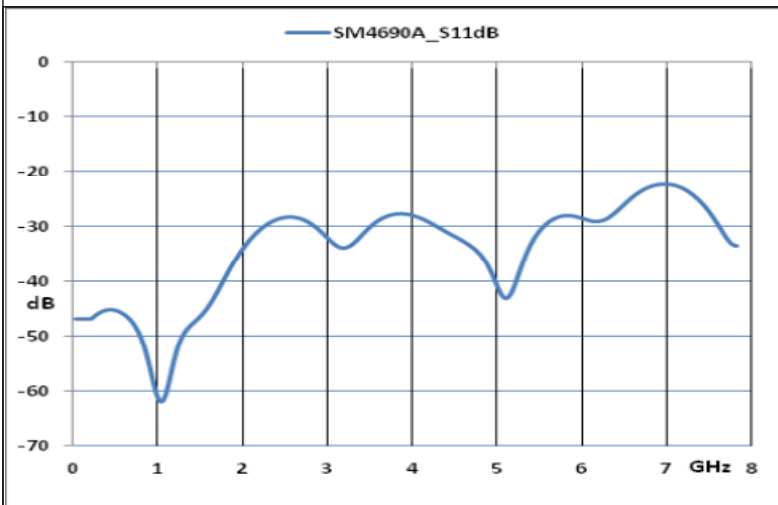
FREQUENCY: 0-6 GHZ
 IMPEDANCE: 50 OHMS
 VSWR: 1.06 @ 3 GHZ
 1.15:1 MAX
 PIMD 3RD : ≥ 165 dBc USING 2CW TONES @ 20W/TONE

MECHANICAL

MATERIALS BODY: BRASS, SI PLATING
 CONNECTOR CONTACTS: BRASS, SI PLATING
 COUPLING NUT: TRIMETAL PLATED BRASS
 INSULATOR: TEFLON
 DURABILITY: 500 CYCLES MIN
 RECOMMENDED TORQUE 7/16 221 IN-LBS
 OPERATING TEMP: -55° TO +120° C

ROHS COMPLIANT

MEASUREMENTS BELOW ARE TYPICAL



ALL DIMENSIONS IN inches(MM) Typical

FAIRVIEW MICROWAVE INC.			
ALLEN, TX 75013 WWW.FAIRVIEWMICROWAVE.COM			
TITLE			
N/M - 7/16 M ADAPTER LOW PIM			
SIZE	CAGE CODE	DWG NO	REV
A	3FKR5	SM4690A	--
SCALE		SHEET	