

SMA/F-TNC/F BULKHEAD 45° ADAPTER 18GHZ

SM4739

SPECIFICATIONS

ELECTRICAL:

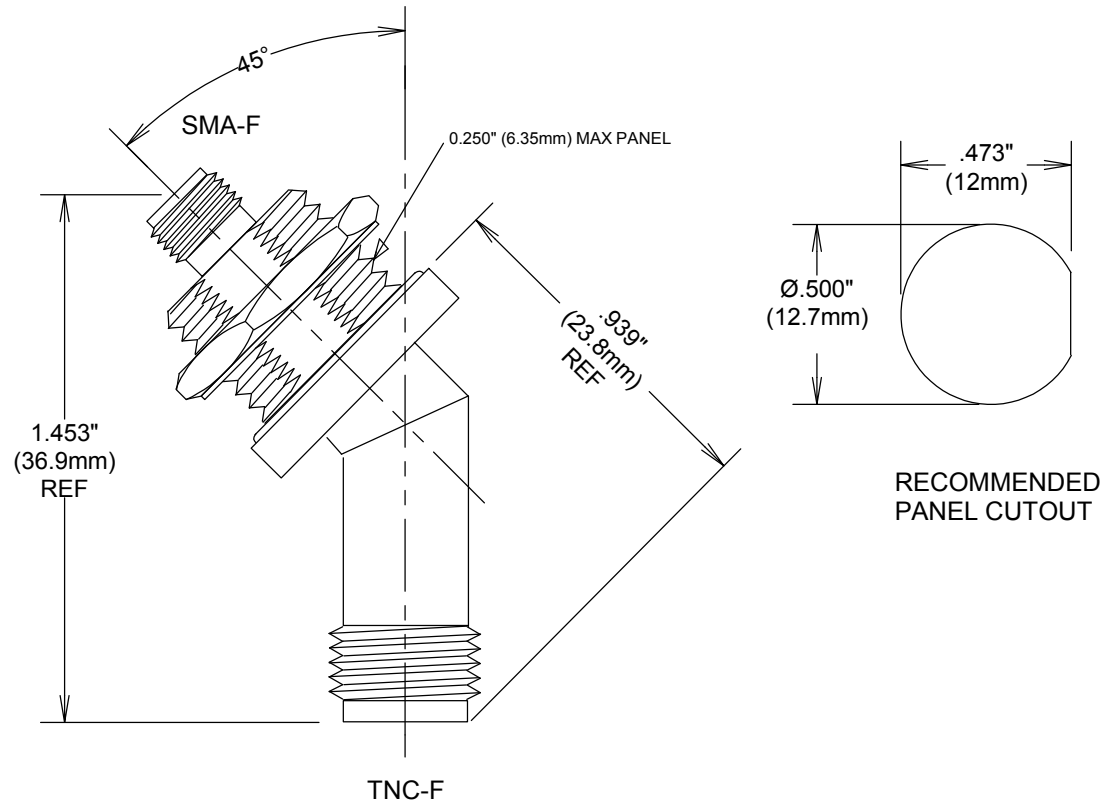
FREQUENCY: 0-18 GHZ
 IMPEDANCE: 50 OHMS
 VSWR 1.35 MAX

MECHANICAL:

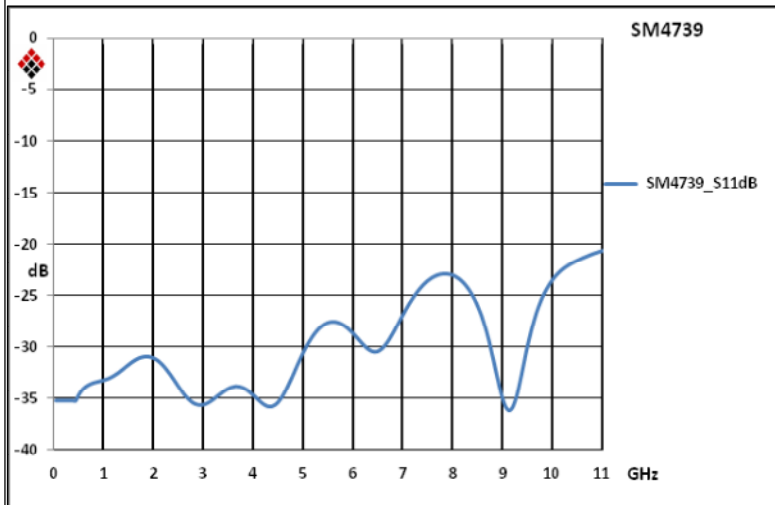
MATERIALS BODY: PASSIVATED S. STEEL
 MATERIALS CONTACTS: BeCu
 CONTACT PLATING: Au per MIL-G-45204
 INTERFACE MIL-STD-348A
 INSULATOR PTFE

ENVIRONMENTAL:

OPERATING TEMPERATURE: -55°C TO +100°C
 DURABILITY 500 CYCLES MIN
 ROHS COMPLIANT



MEASUREMENTS BELOW ARE TYPICAL



FAIRVIEW MICROWAVE INC.			
ALLEN, TX 75013 WWW.FAIRVIEWMICROWAVE.COM			
TITLE SMA/F-TNC/F BULKHEAD 45° ADAPTER 18GHZ			
SIZE A	CAGE CODE 3FKR5	DWG NO SM4739	REV C
SCALE		SHEET	

ALL DIMENSIONS IN inches(MM) Typical