

Bulkhead Hermetically Sealed SMA Female to TNC Female Adapter

Bulkhead hermetically sealed SMA female to TNC female adapter part number SM4745 from Fairview Microwave is in-stock and ships same day. This Fairview SMA to TNC adapter has a female to female gender configuration. SM4745 SMA female to TNC female adapter operates to 11 GHz. The SMA connector mates mechanically with commercially available 3.5mm and 2.92mm (K) connectors. Our RF SMA bulkhead to TNC adapter allows designers to create external connections on their product enclosures, and can be used in a variety of other rack mount and panel mount applications. The Fairview Microwave hermetic SMA to TNC adapter prevents the leakage of gases, making it suitable for high pressure or vacuum applications or whenever an airtight seal is required. The Fairview Microwave RF adapter provides good VSWR of 1.45:1 maximum.

RF adapters can be used to enable connections between two connector types that would otherwise not mate. Certain RF adapter configurations can also be used to protect connectors on expensive equipment where the number of connect and disconnect cycles is high. An RF, microwave, or millimeter wave adapter is connected to the equipment and the commonly changed connection is made with the adapter which can be easily replaced when it wears out after high usage; such adapters are referred to as connector savers. Fairview Microwave also offers bulkhead, panel mount, hermetically sealed, reverse polarity, and isolated ground adapter varieties to serve all of your RF, microwave and millimeter wave needs.

Electrical Specifications

Description	Min	Typ	Max	Units
Frequency Range	DC		11	GHz
VSWR			1.45:1	
Operating Voltage (AC)			335	Vrms
DWV (AC)			1,000	Vrms
Insulation Resistance	5,000			MOhms

Electrical Specification Notes:
 Values at 25° C, sea level.

Mechanical Specifications

Size

Length	1.18 in [29.97 mm]
Width	0.688 in [17.48 mm]
Weight	0.0454 lbs [20.59 g]

Description	Connector 1	Connector 2
Type	SMA Female	TNC Female
Polarity	Standard	Standard
Interface Specification	MIL-STD-348	MIL-STD-348
Connector Option	Hermetically Sealed	Hermetically Sealed
Mating Cycles	500	500

Mechanical Specification Notes:

The glass bead seal in the center of the adapter is sensitive to shock and axial pressure. If the adapter is subjected to shock and overtightening of the coupling nut, the glass bead interseal will shatter easily. Jam nut torque not to exceed 15 inch pounds.



Configuration:

- SMA Female Connector 1
- TNC Female Connector 2
- 50 Ohms
- Straight Body Geometry
- Bulkhead Mount Method

Features:

- VSWR of 1.45:1 max up to 11 GHz
- Hermetically Sealed
- SMA interface meets MIL-STD-348
- TNC interface meets MIL-STD-348
- Contact plating according to MIL-G-45204
- Gold Plated Beryllium Copper Contact

Applications:

- Enables Between Series Connections
- General Purpose Test
- Vacuum Test Environment
- Rack Mounted Equipment

Fairview Microwave
 1130 Junction Dr. #100
 Allen, TX 75013
 Tel: 1-800-715-4396 / (972) 649-6678
 Fax: (972) 649-6689
www.fairviewmicrowave.com
sales@fairviewmicrowave.com

Material Specifications

Description	Connector 1	Connector 2
Type	SMA Female	TNC Female
Contact Material	Beryllium Copper	Beryllium Copper
Contact Plating	Gold	Gold
Contact Plating Spec.	MIL-G-45204	MIL-G-45204
Insulation Material	PTFE	PTFE
Outer Contact Material	Passivated Stainless Steel	Passivated Stainless Steel

Environmental Specifications

Temperature

Operating Range
 Hermetic Seal

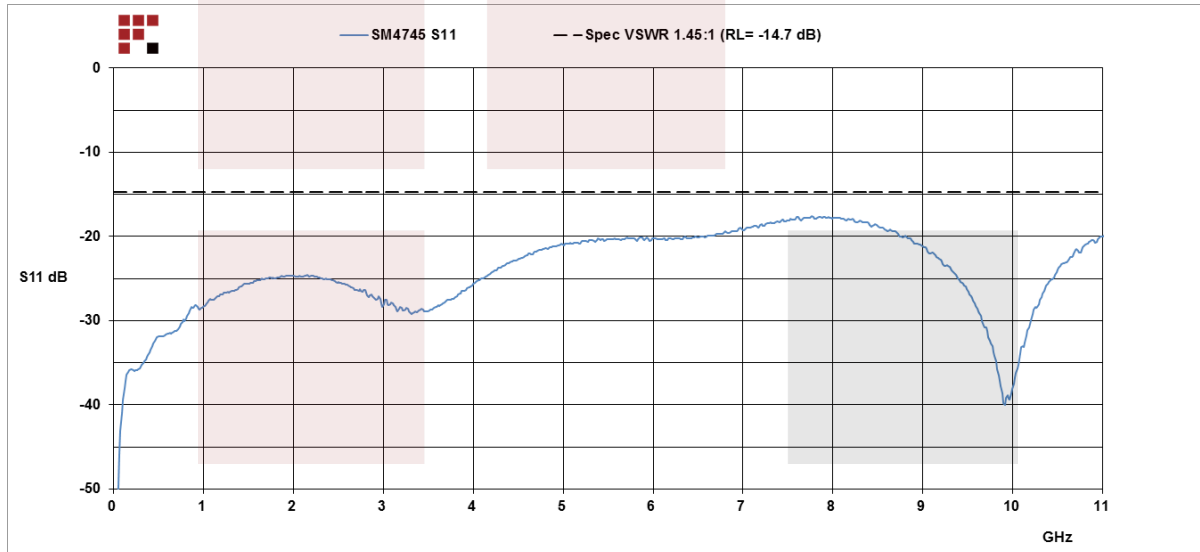
-65 to +165 deg C
 Leak rate not to exceed 1×10^{-7} cc/sec of helium at 1 atm differential

Compliance Certifications (see [product page](#) for current document)

Plotted and Other Data

Notes:

Typical Performance Data



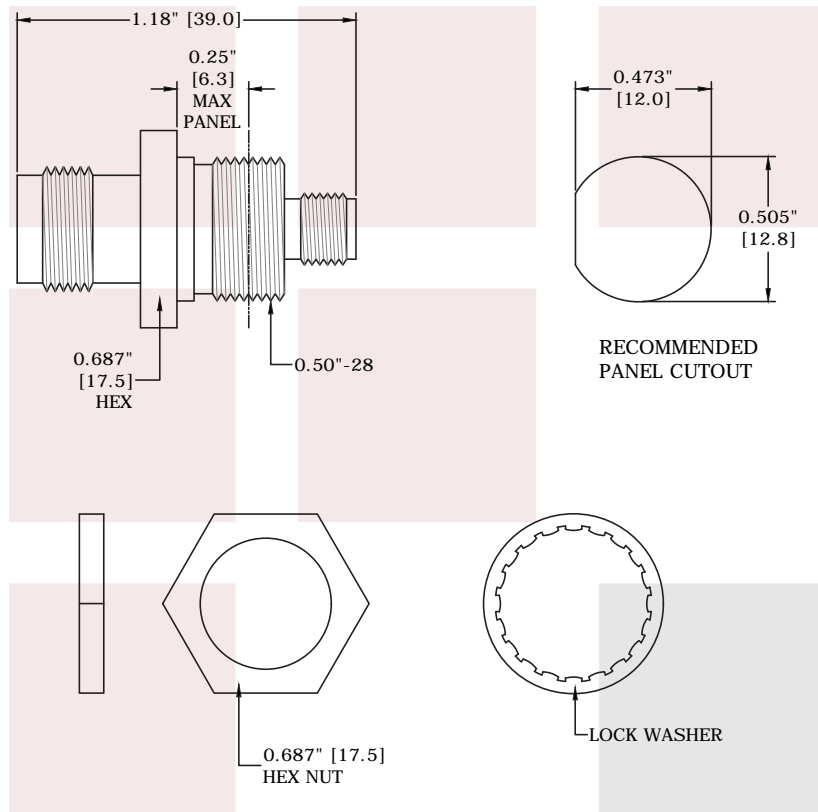
Bulkhead Hermetically Sealed SMA Female to TNC Female Adapter from Fairview Microwave is in-stock and available to ship same-day. All of our RF/microwave products are available off-the-shelf from our ISO 9001:2008 certified facilities in Allen, Texas. Fairview Microwave is RF on-demand.

For additional information on this product, please click the following link: [Bulkhead Hermetically Sealed SMA Female to TNC Female Adapter SM4745](#)

URL: <https://www.fairviewmicrowave.com/bulkhead-hermetically-sealed-sma-female-tnc-female-adapter-sm4745-p.aspx>

The information contained in this document is accurate to the best of our knowledge and representative of the part described herein. It may be necessary to make modifications to the part and/or the documentation of the part, in order to implement improvements. Fairview Microwave reserves the right to make such changes as required. Unless otherwise stated, all specifications are nominal. Fairview Microwave does not make any representation or warranty regarding the suitability of the part described herein for any particular purpose, and Fairview Microwave does not assume any liability arising out of the use of any part or documentation.





FAIRVIEW MICROWAVE INC.
 ALLEN, TX 75013 WWW.FAIRVIEWMICROWAVE.COM

NOTES:
 1. UNLESS OTHERWISE SPECIFIED ALL DIMENSIONS ARE NOMINAL.
 2. ALL SPECIFICATIONS ARE SUBJECT TO CHANGE WITHOUT NOTICE AT ANY TIME.
 3. DIMENSIONS ARE IN INCHES [mm].

TITLE	DWG NO	CAGE CODE
Bulkhead Hermetically Sealed SMA Female to TNC Female Adapter	SM4745	3FKR5
CAD FILE	SHEET	SCALE N/A
081315		SIZE A
		5568

CAD FILE	081315	SHEET	SCALE N/A	SIZE A	5568
----------	--------	-------	-----------	--------	------