

SMA Female to TNC Female Bulkhead Adapter

SMA female to TNC female bulkhead adapter part number SM4749 from Fairview Microwave is in-stock and ships same day. This Fairview SMA to TNC adapter has a female to female gender configuration. SM4749 SMA female to TNC female adapter operates to 6 GHz. The Fairview Microwave RF adapter provides excellent VSWR of 1.25:1 maximum. The SMA connector mates mechanically with commercially available 3.5mm and 2.92mm (K) connectors. Our RF SMA to TNC bulkhead adapter allows designers to create external connections on their product enclosures, and can be used in a variety of other rack mount and panel mount applications.

RF adapters can be used to enable connections between two connector types that would otherwise not mate. Certain RF adapter configurations can also be used to protect connectors on expensive equipment where the number of connect and disconnect cycles is high. An RF, microwave, or millimeter wave adapter is connected to the equipment and the commonly changed connection is made with the adapter which can be easily replaced when it wears out after high usage; such adapters are referred to as connector savers. Fairview Microwave also offers bulkhead, panel mount, hermetically sealed, reverse polarity, and isolated ground adapter varieties to serve all of your RF, microwave and millimeter wave needs.

Electrical Specifications

Description	Min	Typ	Max	Units
Frequency Range	DC		6	GHz
VSWR			1.25:1	
Operating Voltage (AC)			335	Vrms
DWV (AC)			1,000	Vrms

Electrical Specification Notes:
 Values at 25°C, sea level.

Mechanical Specifications

Size	
Length	1.3 in [33.02 mm]
Width	0.65 in [16.51 mm]
Weight	0.0375 lbs [17.01 g]

Description	Connector 1	Connector 2
Type	SMA Female	TNC Female
Polarity	Standard	Standard
Mating Cycles	500	500



Configuration:

- SMA Female Connector 1
- TNC Female Connector 2
- 50 Ohm
- Straight Body Geometry
- Bulkhead Mount Method

Features:

- VSWR of 1.25:1 max up to 6 GHz
- 1.3 μm minimum contact plating
- Gold Plated Beryllium Copper Contact

Applications:

- Enables Between Series Connections
- General Purpose Test
- Rack Mounted Equipment

Fairview Microwave
 301 Leora Ln., Suite 100
 Lewisville, TX 75056
 Tel: 1-800-715-4396 / (972) 649-6678
 Fax: (972) 649-6689
www.fairviewmicrowave.com
sales@fairviewmicrowave.com

Material Specifications

Description	Connector 1	Connector 2
Type	SMA Female	TNC Female
Contact Material	Beryllium Copper	Beryllium Copper
Contact Plating	Gold	Gold
Contact Plating Spec.	1.3 µm minimum	1.3 µm minimum
Insulation Material	PTFE	PTFE
Outer Contact Material	Brass	Brass
Outer Contact Plating	Nickel	Nickel

Environmental Specifications

Temperature

Operating Range

-45 to +125 deg C

Compliance Certifications (see [product page](#) for current document)

Plotted and Other Data

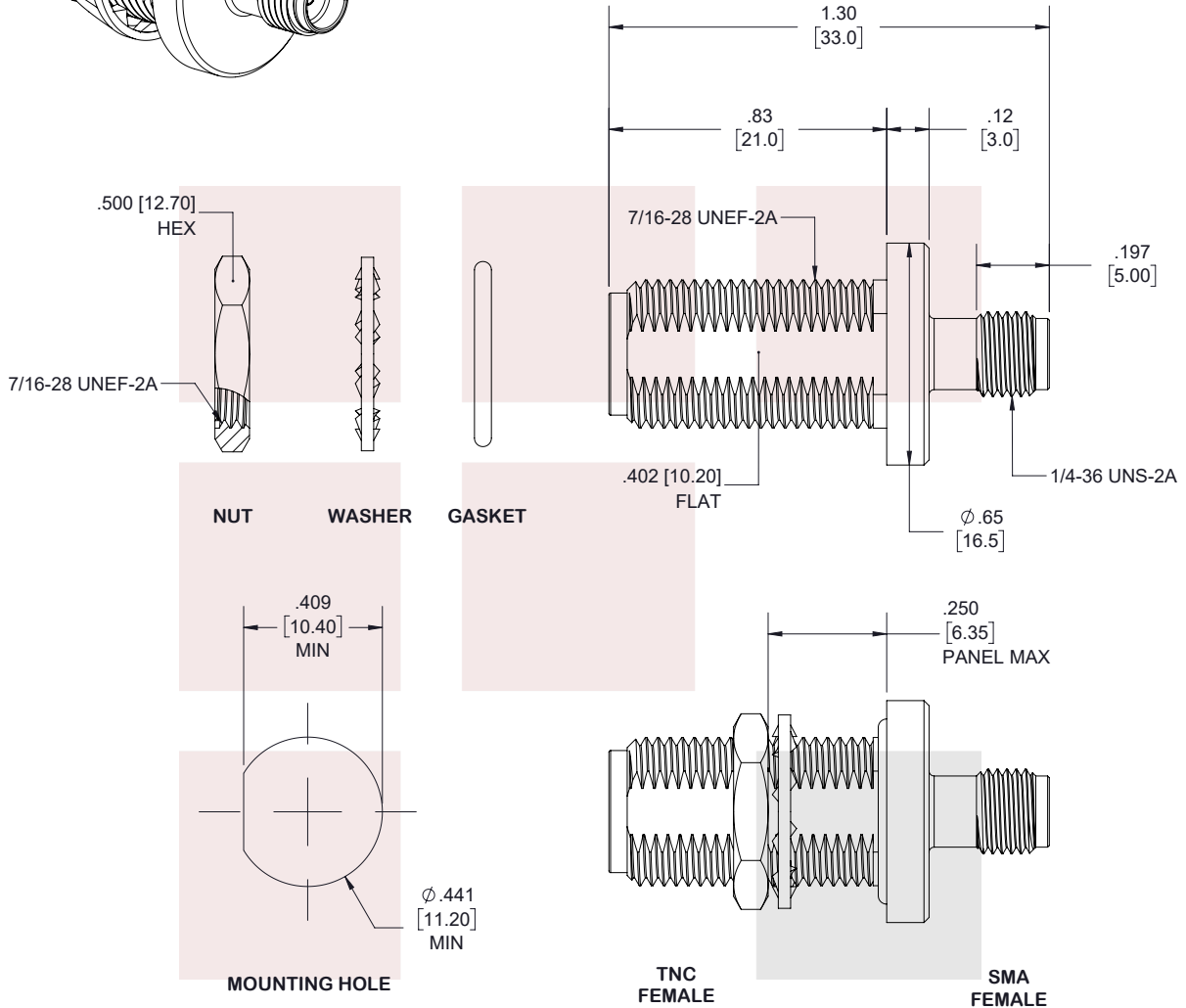
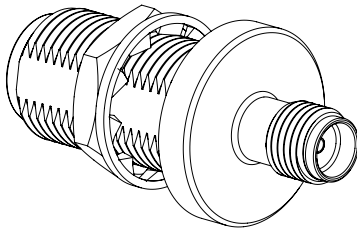
Notes:

SMA Female to TNC Female Bulkhead Adapter from Fairview Microwave is in-stock and available to ship same-day. All of our RF/microwave products are available off-the-shelf from our ISO 9001:2008 certified facilities in Allen, Texas. Fairview Microwave is RF on-demand.

For additional information on this product, please click the following link: [SMA Female to TNC Female Bulkhead Adapter SM4749](#)

URL: <https://www.fairviewmicrowave.com/sma-female-tnc-female-bulkhead-adapter-sm4749-p.aspx>

The information contained in this document is accurate to the best of our knowledge and representative of the part described herein. It may be necessary to make modifications to the part and/or the documentation of the part, in order to implement improvements. Fairview Microwave reserves the right to make such changes as required. Unless otherwise stated, all specifications are nominal. Fairview Microwave does not make any representation or warranty regarding the suitability of the part described herein for any particular purpose, and Fairview Microwave does not assume any liability arising out of the use of any part or documentation.



STANDARD TOLERANCES

.X ± 0.2
.XX ± 0.01
.XXX ± 0.005

*STANDARD TOLERANCES APPLY ONLY TO DIMENSIONS IN INCHES

FAIRVIEW MICROWAVE INC.		NOTES:	
ALLEN, TX 75013 WWW.FAIRVIEWMICROWAVE.COM		1. UNLESS OTHERWISE SPECIFIED ALL DIMENSIONS ARE NOMINAL.	
TITLE		2. ALL SPECIFICATIONS ARE SUBJECT TO CHANGE WITHOUT NOTICE AT ANY TIME.	
SMA Female to TNC Female Bulkhead Adapter		3. DIMENSIONS ARE IN INCHES [mm].	
DWG NO	SM4749	CAGE CODE	3FKR5
CAD FILE	112917	SHEET	1 OF 1
SCALE	N/A	SIZE	A
			7361