

SMA Male to RP MCX Plug Adapter

Electrical Specifications

Frequency Range	DC to 6 GHz
Maximum VSWR	1.2: 1

Mechanical Specifications

Size	
Length	0.725 in [18.42 mm]
Width	0.312 in [7.92 mm]

Connector 1

Type	SMA Male
Inner Conductor Material and Plating	Gold
Coupling Nut Material and Plating	Brass, Nickel
Body Material and Plating	Brass, Nickel
Dielectric Type	PTFE

Connector 2

Type	MCX Plug Reverse Polarity
Inner Conductor Material and Plating	Gold
Body Material and Plating	Brass, Nickel
Dielectric Type	PTFE

Environmental Specifications

Compliance Certifications (visit www.FairviewMicrowave.com for current document)

RoHS Compliant	Yes
----------------	-----

Plotted and Other Data

Notes:
 • Values at 25 °C, sea level

SMA Male to RP MCX Plug Adapter from Fairview Microwave is in-stock and available to ship same-day. All of our RF/microwave products are available off-the-shelf from our ISO 9001:2008 certified facilities in Allen, Texas. Fairview Microwave is RF on-demand.

For additional information on this product, please click the following link: [SMA Male to RP MCX Plug Adapter SM4800](#)

URL: <http://www.fairviewmicrowave.com/sma-male-rp-mcx-plug-adapter-sm4800-p.aspx>

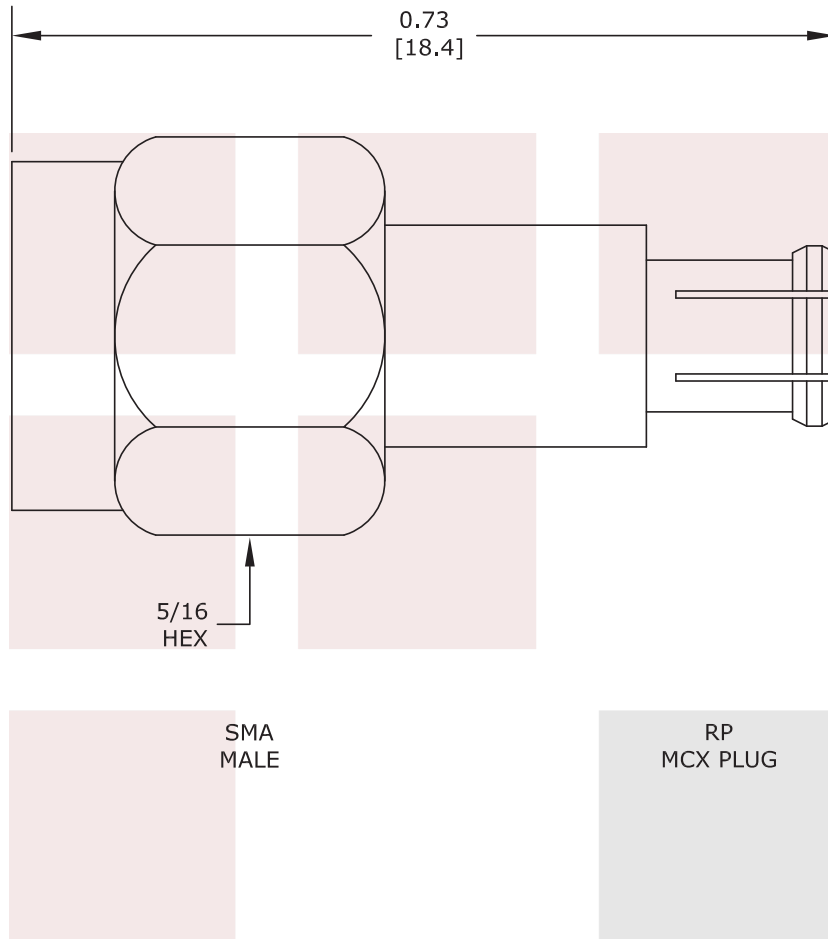
The information contained in this document is accurate to the best of our knowledge and representative of the part described herein. It may be necessary to make modifications to the part and/or the documentation of the part, in order to implement improvements. Fairview Microwave reserves the right to make such changes as required. Unless otherwise stated, all specifications are nominal. Fairview Microwave does not make any representation or warranty regarding the suitability of the part described herein for any particular purpose, and Fairview Microwave does not assume any liability arising out of the use of any part or documentation.



Features:

- Connector 1: SMA Male
- Impedance 1: 50 Ohms
- Connector 2: MCX Plug Reverse Polarity
- Impedance 2: 50 Ohms
- Adapter Design: Standard
- Body Style: Straight

Fairview Microwave
 1130 Junction Dr. #100
 Allen, TX 75013
 Tel: 1-800-715-4396 / (972) 649-6678
 Fax: (972) 649-6689
www.fairviewmicrowave.com
sales@fairviewmicrowave.com



FAIRVIEW MICROWAVE INC. ALLEN, TX 75013 WWW.FAIRVIEWMICROWAVE.COM		NOTES: 1. UNLESS OTHERWISE SPECIFIED ALL DIMENSIONS ARE NOMINAL. 2. ALL SPECIFICATIONS ARE SUBJECT TO CHANGE WITHOUT NOTICE AT ANY TIME. 3. DIMENSIONS ARE IN INCHES [mm].			
TITLE SMA Male to RP MCX Plug Adapter		DWG NO SM3403		CAGE CODE 3FKR5	
CAD FILE	110514	SHEET	SCALE	N/A	SIZE A 2233