

SMA Female to SMA Female Bulkhead Adapter

SMA female to SMA female bulkhead adapter part number SM4933 from Fairview Microwave is in-stock and ships same day. This Fairview SMA to SMA adapter has a female to female gender configuration. SM4933 SMA female to SMA female adapter operates to 18 GHz. The Fairview Microwave RF adapter provides excellent VSWR of 1.2:1 maximum. The SMA connector mates mechanically with commercially available 3.5mm and 2.92mm (K) connectors. Our RF SMA to SMA bulkhead adapter allows designers to create external connections on their product enclosures, and can be used in a variety of other rack mount and panel mount applications.

RF adapters can be used to enable connections between two connector types that would otherwise not mate. Certain RF adapter configurations can also be used to protect connectors on expensive equipment where the number of connect and disconnect cycles is high. An RF, microwave, or millimeter wave adapter is connected to the equipment and the commonly changed connection is made with the adapter which can be easily replaced when it wears out after high usage; such adapters are referred to as connector savers. Fairview Microwave also offers bulkhead, panel mount, hermetically sealed, reverse polarity, and isolated ground adapter varieties to serve all of your RF, microwave and millimeter wave needs.

Electrical Specifications

Description	Min	Typ	Max	Units
Frequency Range	DC		18	GHz
VSWR			1.2:1	

Electrical Specification Notes:
 Values at 25°C, sea level.

Mechanical Specifications

Size	
Length	0.875 in [22.23 mm]
Width	0.5 in [12.7 mm]
Weight	0.017 lbs [7.71 g]

Description	Connector 1	Connector 2
Type	SMA Female	SMA Female
Polarity	Standard	Standard
Interface Specification	MIL-STD-348	MIL-STD-348
Contact Captivation Method	Epoxy	Epoxy
Mating Cycles	500	500



Configuration:

- SMA Female Connector 1
- SMA Female Connector 2
- 50 Ohm
- Straight Body Geometry
- Bulkhead Mount Method

Features:

- VSWR of 1.2:1 max up to 18 GHz
- SMA interface meets MIL-STD-348
- Epoxy captivation
- Contact plating according to MIL-G-45204
- Gold Plated Contact

Applications:

- General Purpose Test
- Rack Mounted Equipment

Fairview Microwave
 1130 Junction Dr. #100
 Allen, TX 75013
 Tel: 1-800-715-4396 / (972) 649-6678
 Fax: (972) 649-6689
www.fairviewmicrowave.com
sales@fairviewmicrowave.com

Material Specifications

Description	Connector 1	Connector 2
Type	SMA Female	SMA Female
Contact Material	Beryllium Copper	Beryllium Copper
Contact Plating	Gold	Gold
Contact Plating Spec.	MIL-G-45204	MIL-G-45204
Insulation Material	PTFE	PTFE
Outer Contact Material	Passivated Stainless Steel	Passivated Stainless Steel

Environmental Specifications

Temperature

Operating Range

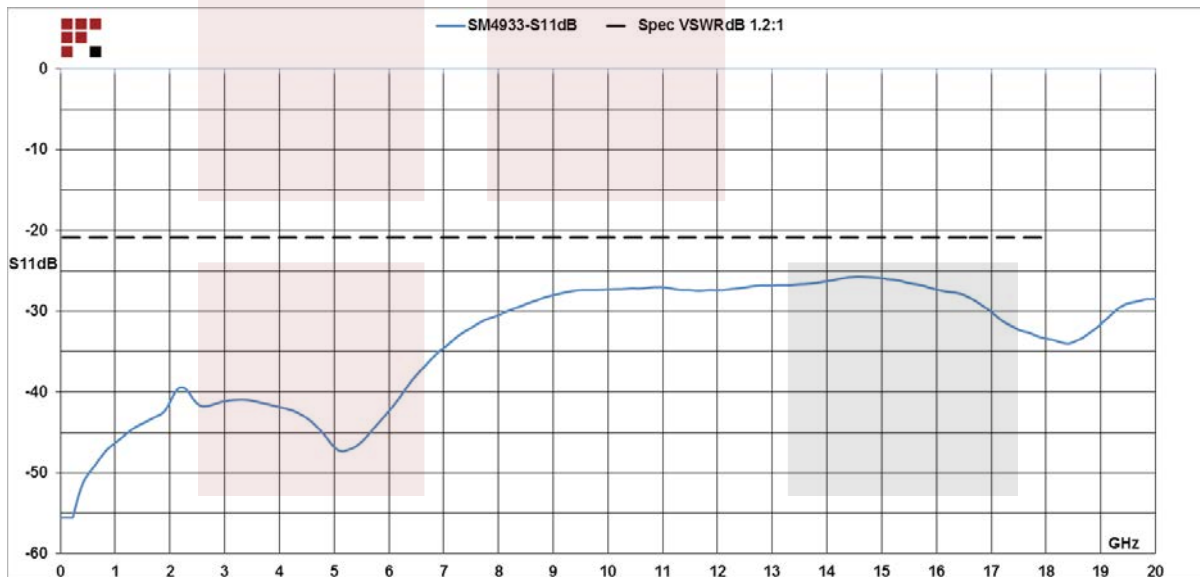
-65 to +165 deg C

Compliance Certifications (see [product page](#) for current document)

Plotted and Other Data

Notes:

Typical Performance Data



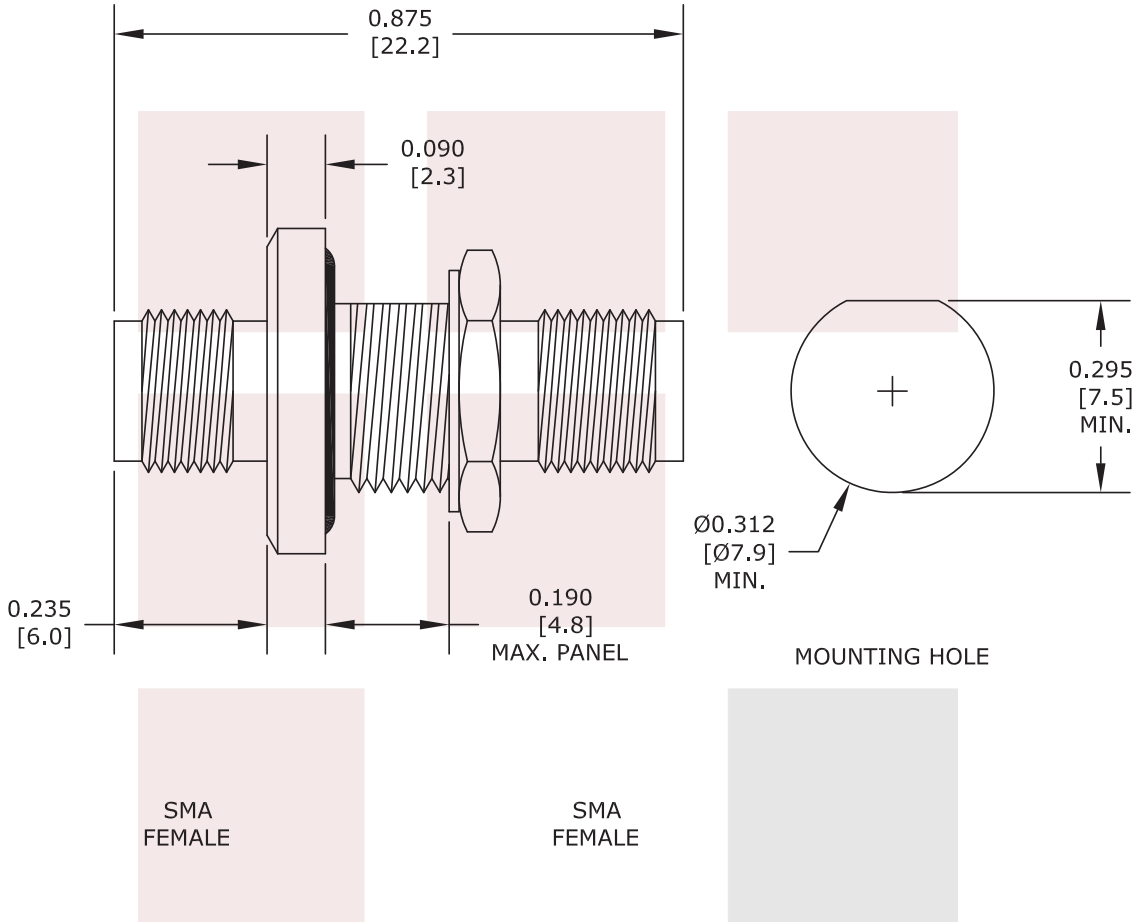
SMA Female to SMA Female Bulkhead Adapter from Fairview Microwave is in-stock and available to ship same-day. All of our RF/microwave products are available off-the-shelf from our ISO 9001:2008 certified facilities in Allen, Texas. Fairview Microwave is RF on-demand.

For additional information on this product, please click the following link: [SMA Female to SMA Female Bulkhead Adapter SM4933](#)

URL: <https://www.fairviewmicrowave.com/sma-female-sma-female-bulkhead-adapter-sm4933-p.aspx>

The information contained in this document is accurate to the best of our knowledge and representative of the part described herein. It may be necessary to make modifications to the part and/or the documentation of the part, in order to implement improvements. Fairview Microwave reserves the right to make such changes as required. Unless otherwise stated, all specifications are nominal. Fairview Microwave does not make any representation or warranty regarding the suitability of the part described herein for any particular purpose, and Fairview Microwave does not assume any liability arising out of the use of any part or documentation.





STANDARD TOLERANCES	
.X	±0.2
.XX	±0.1
.XXX	±0.05

*STANDARD TOLERANCES APPLY ONLY TO DIMENSIONS IN INCHES

FAIRVIEW MICROWAVE INC.		NOTES: 1. UNLESS OTHERWISE SPECIFIED ALL DIMENSIONS ARE NOMINAL. 2. ALL SPECIFICATIONS ARE SUBJECT TO CHANGE WITHOUT NOTICE AT ANY TIME. 3. DIMENSIONS ARE IN INCHES [mm].			
ALLEN, TX 75013 WWW.FAIRVIEWMICROWAVE.COM		DWG NO SM4933		CAGE CODE 3FKR5	
TITLE SMA Female to SMA Female Bulkhead Adapter		CAD FILE 100616	SHEET	SCALE N/A	SIZE A
					41742