

## Precision QD SMA Male (Plug) to SMA Female (Jack) Adapter, Gold Plated Brass Body, 1.15 VSWR

QD SMA male to SMA female adapter part number SM4978 from Fairview Microwave is in-stock and ships same day. This Fairview SMA to SMA adapter has a male to female gender configuration in a precision design. SM4978 SMA male to SMA female adapter operates to 18 GHz. The Fairview Microwave RF adapter provides excellent VSWR of 1.15:1 maximum. The SMA connector mates mechanically with commercially available 3.5mm and 2.92mm (K) connectors.

RF adapters can be used to enable connections between two connector types that would otherwise not mate. Certain RF adapter configurations can also be used to protect connectors on expensive equipment where the number of connect and disconnect cycles is high. An RF, microwave, or millimeter wave adapter is connected to the equipment and the commonly changed connection is made with the adapter which can be easily replaced when it wears out after high usage; such adapters are referred to as connector savers. Fairview Microwave also offers bulkhead, panel mount, hermetically sealed, reverse polarity, and isolated ground adapter varieties to serve all of your RF, microwave and millimeter wave needs.

### Electrical Specifications

Description	Min	Typ	Max	Units
Frequency Range	DC		18	GHz
VSWR			1.15:1	

Electrical Specification Notes:  
Values at 25°C, sea level.

### Mechanical Specifications

Size	
Length	0.720 in [18.3 mm]
Weight	0.0122 lbs [5.53 g]

Description	Connector 1	Connector 2
Type	SMA Male	SMA Female
Connection Method	QD	
Polarity	Standard	Standard
Interface Specification	MIL-STD-348	MIL-STD-348
Mating Cycles	500	500



### Configuration:

- QD SMA Male Connector 1
- SMA Female Connector 2
- 50 Ohm
- Precision Design
- Straight Body Geometry

### Features:

- VSWR of 1.15:1 max up to 18 GHz
- SMA interface meets MIL-STD-348
- Contact plating according to ASTM B488
- Gold Plated Beryllium Copper Contact

### Applications:

- General Purpose Test
- Precision Test & Measurement

Fairview Microwave  
301 Leora Ln., Suite 100  
Lewisville, TX 75056  
Tel: 1-800-715-4396 / (972) 649-6678  
Fax: (972) 649-6689  
[www.fairviewmicrowave.com](http://www.fairviewmicrowave.com)  
[sales@fairviewmicrowave.com](mailto:sales@fairviewmicrowave.com)

**Material Specifications**

Description	Connector 1	Connector 2
Type	SMA Male	SMA Female
Contact Material	Beryllium Copper	Beryllium Copper
Contact Plating	Gold	Gold
Contact Plating Spec.	ASTM B488	ASTM B488
Insulation Material	PTFE	PTFE
Outer Contact Material		Brass
Outer Contact Plating		Gold
Outer Conductor Contact Spec.		ASTM B488
Body Material	Brass	
Body Plating	Gold	
Body Plating Spec.	ASTM B488	

**Environmental Specifications**

**Temperature**

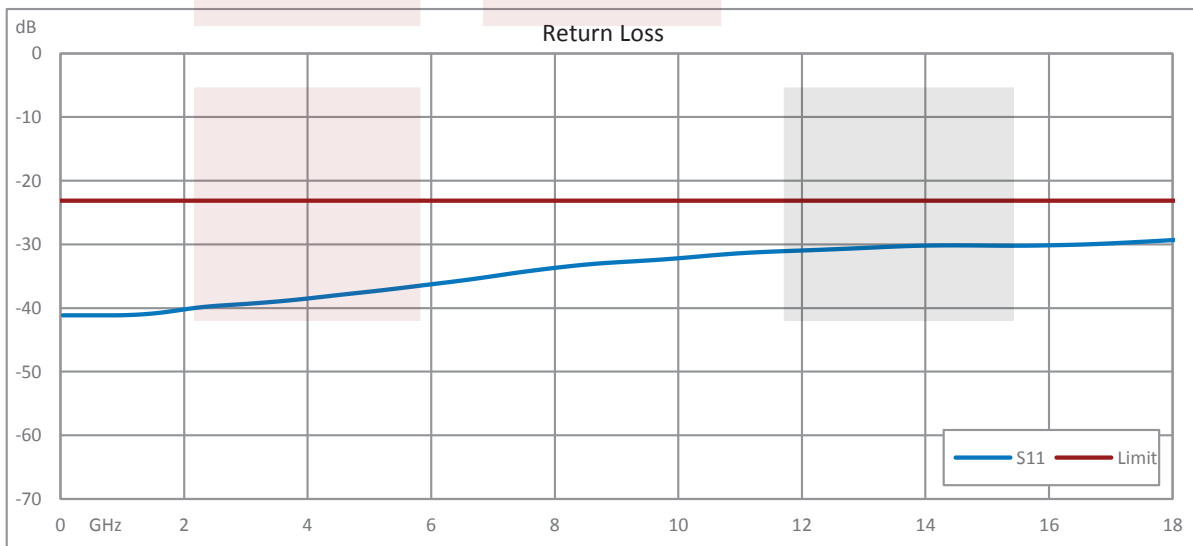
Operating Range -45 to +110 deg C

**Compliance Certifications** (see [product page](#) for current document)

**Plotted and Other Data**

Notes:

**Typical Performance Data**



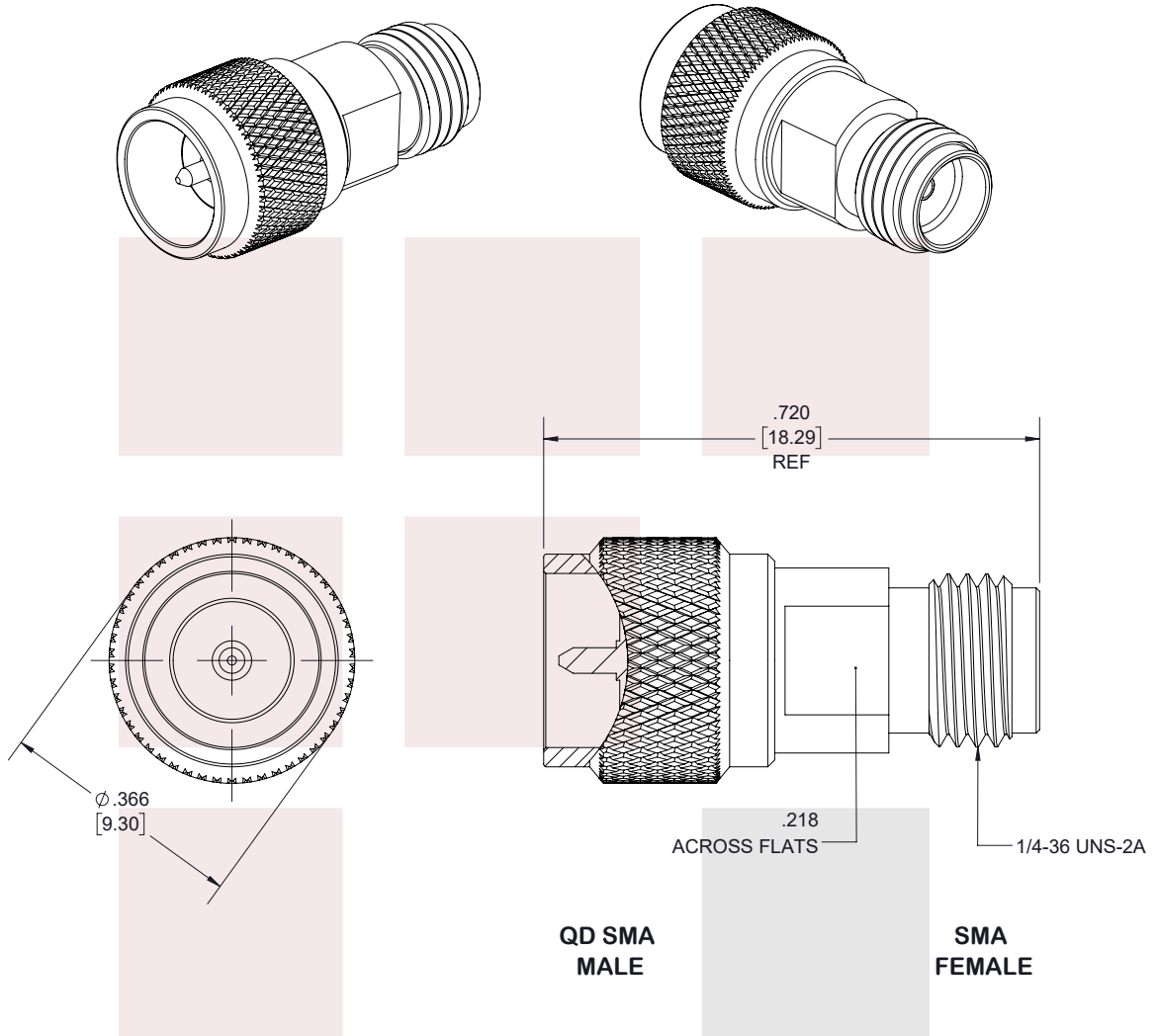
Precision QD SMA Male (Plug) to SMA Female (Jack) Adapter, Gold Plated Brass Body, 1.15 VSWR from Fairview Microwave is in-stock and available to ship same-day. All of our RF/microwave products are available off-the-shelf from our ISO 9001:2008 certified facilities in Lewisville, Texas. Fairview Microwave is RF on-demand.

For additional information on this product, please click the following link: [Precision QD SMA Male \(Plug\) to SMA Female \(Jack\) Adapter, Gold Plated Brass Body, 1.15 VSWR SM4978](#)

URL: <https://www.fairviewmicrowave.com/sma-male-sma-female-adapter-sm4978-p.aspx>

The information contained in this document is accurate to the best of our knowledge and representative of the part described herein. It may be necessary to make modifications to the part and/or the documentation of the part, in order to implement improvements. Fairview Microwave reserves the right to make such changes as required. Unless otherwise stated, all specifications are nominal. Fairview Microwave does not make any representation or warranty regarding the suitability of the part described herein for any particular purpose, and Fairview Microwave does not assume any liability arising out of the use of any part or documentation.





**STANDARD TOLERANCES**

.X ±0.2  
.XX ±0.01  
.XXX ±0.005

\*STANDARD TOLERANCES APPLY ONLY TO DIMENSIONS IN INCHES

NOTES:  
1. UNLESS OTHERWISE SPECIFIED ALL DIMENSIONS ARE NOMINAL.  
2. ALL SPECIFICATIONS ARE SUBJECT TO CHANGE WITHOUT NOTICE AT ANY TIME.  
3. DIMENSIONS ARE IN INCHES [mm].

TITLE Precision QD SMA Male (Plug) to SMA Female (Jack) Adapter, Gold Plated Brass Body, 1.15 VSWR	DWG NO <b>SM4978</b>		CAGE CODE <b>3FKR5</b>			
	CAD FILE 07/16/19	SHEET 1 OF 1	SCALE N/A	SIZE A	7361	