

Miter RA SMA Male (Plug) to SMA Male (Plug) Adapter, Passivated Stainless Steel Body, 1.35 VSWR, 27 GHz

Miter RA SMA male to SMA male adapter part number SM5255 from Fairview Microwave is in-stock and ships same day. This Fairview SMA to SMA adapter has a male to male gender configuration and is built of durable stainless steel. SM5255 SMA male to SMA male adapter operates to 27 GHz. The Fairview Microwave RF adapter provides good VSWR of 1.35:1 maximum. The SMA connector mates mechanically with commercially available 3.5mm and 2.92mm (K) connectors. This miter right angle SMA adapter allows for easier connections in tight spaces.

RF adapters can be used to enable connections between two connector types that would otherwise not mate. Certain RF adapter configurations can also be used to protect connectors on expensive equipment where the number of connect and disconnect cycles is high. An RF, microwave, or millimeter wave adapter is connected to the equipment and the commonly changed connection is made with the adapter which can be easily replaced when it wears out after high usage; such adapters are referred to as connector savers. Fairview Microwave also offers bulkhead, panel mount, hermetically sealed, reverse polarity, and isolated ground adapter varieties to serve all of your RF, microwave and millimeter wave needs.

Electrical Specifications

Description	Min	Typ	Max	Units
Frequency Range	DC		27	GHz
VSWR			1.35:1	

Electrical Specification Notes:
 Values at 25°C, sea level.

Mechanical Specifications

Size	
Length	0.517 in [13.1 mm]
Width	0.312 in [7.92 mm]
Height	0.545 in [13.84 mm]
Weight	0.0191 lbs [8.66 g]

Description	Connector 1	Connector 2
Type	SMA Male	SMA Male
Polarity	Standard	Standard
Mating Cycles	500	500
Mating Torque	8 to 10 in-lbs [0.90 to 1.13 Nm]	8 to 10 in-lbs [0.90 to 1.13 Nm]



Configuration:

- SMA Male Connector 1
- SMA Male Connector 2
- 50 Ohm
- Miter Right Angle Body Geometry

Features:

- VSWR of 1.35:1 max up to 27 GHz
- Contact plating according to MIL-G-45204
- Gold over Nickel Plated Beryllium Copper Contact

Applications:

- General Purpose Test

Fairview Microwave
 301 Leora Ln., Suite 100
 Lewisville, TX 75056
 Tel: 1-800-715-4396 / (972) 649-6678
 Fax: (972) 649-6689
www.fairviewmicrowave.com
sales@fairviewmicrowave.com

Material Specifications

Description	Connector 1	Connector 2
Type	SMA Male	SMA Male
Contact Material	Beryllium Copper	Beryllium Copper
Contact Plating	Gold over Nickel	Gold over Nickel
Contact Plating Spec.	MIL-G-45204	MIL-G-45204
Insulation Material	PTFE	PTFE
Body Material	Passivated Stainless Steel	Passivated Stainless Steel
Body Plating Spec.	ASTM A380	ASTM A380
Coupling Nut Material	Passivated Stainless Steel	Passivated Stainless Steel
Coupling Nut Plating Spec.	ASTM A380	ASTM A380

Environmental Specifications

Temperature

Operating Range

Vibration

Salt Spray

-55 to +100 deg C

MIL-STD 202, Method 204, Condition D (20 G's)

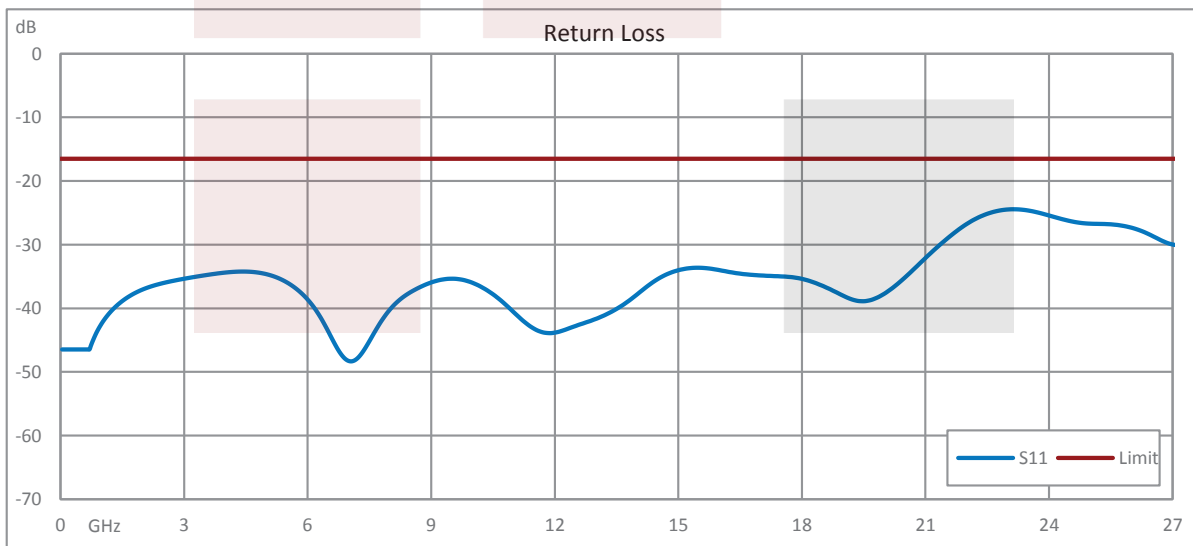
MIL-STD 202, Method 101, Condition B, 5% salt solution

Compliance Certifications (see [product page](#) for current document)

Plotted and Other Data

Notes:

Typical Performance Data



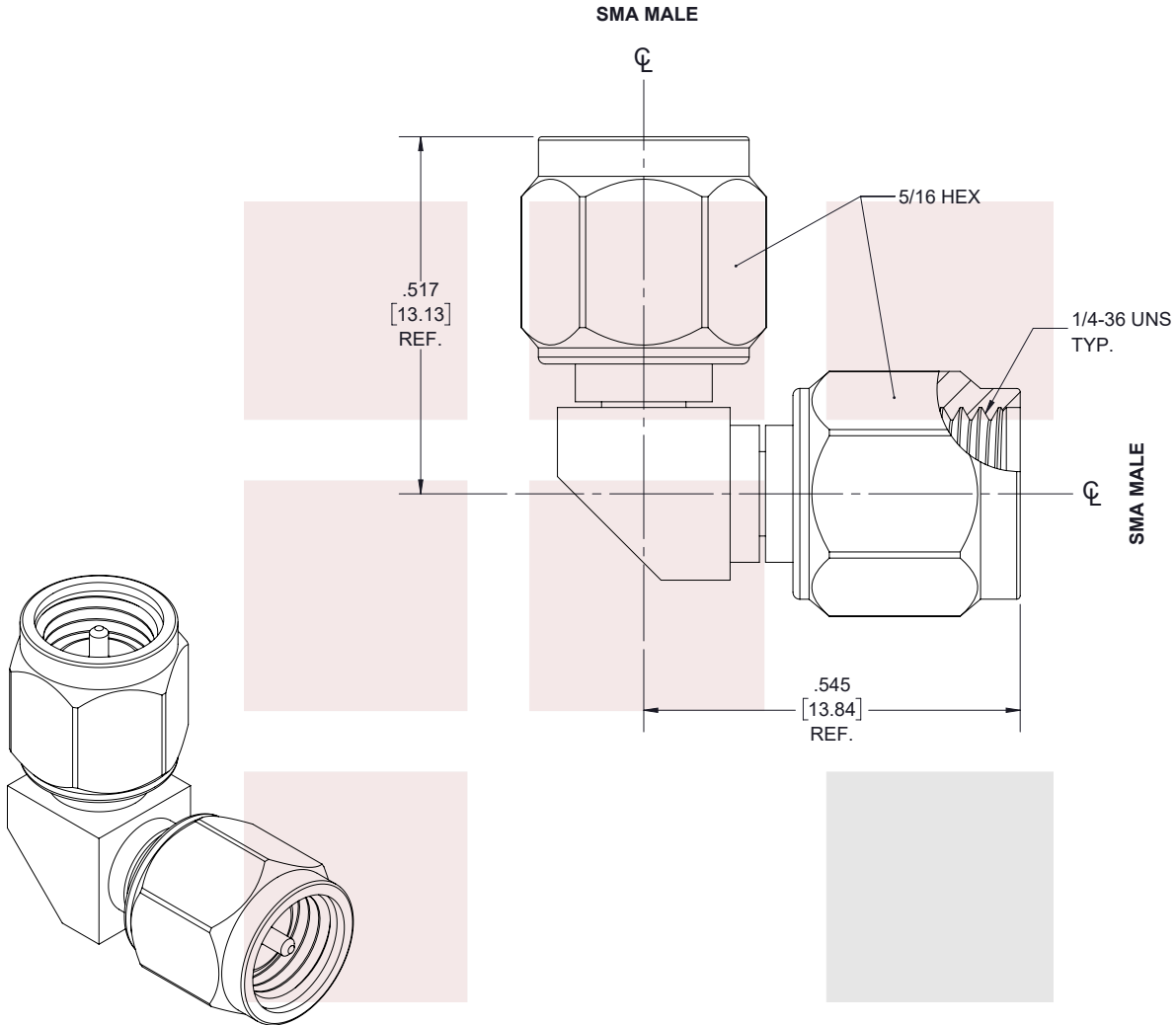
Miter RA SMA Male (Plug) to SMA Male (Plug) Adapter, Passivated Stainless Steel Body, 1.35 VSWR, 27 GHz from Fairview Microwave is in-stock and available to ship same-day. All of our RF/microwave products are available off-the-shelf from our ISO 9001:2008 certified facilities in Lewisville, Texas. Fairview Microwave is RF on-demand.

For additional information on this product, please click the following link: [Miter RA SMA Male \(Plug\) to SMA Male \(Plug\) Adapter, Passivated Stainless Steel Body, 1.35 VSWR, 27 GHz SM5255](#)

URL: <https://www.fairviewmicrowave.com/ra-sma-male-sma-male-adapter-sm5255-p.aspx>

The information contained in this document is accurate to the best of our knowledge and representative of the part described herein. It may be necessary to make modifications to the part and/or the documentation of the part, in order to implement improvements. Fairview Microwave reserves the right to make such changes as required. Unless otherwise stated, all specifications are nominal. Fairview Microwave does not make any representation or warranty regarding the suitability of the part described herein for any particular purpose, and Fairview Microwave does not assume any liability arising out of the use of any part or documentation.





STANDARD TOLERANCES	
.X	±0.2
.XX	±0.01
.XXX	±0.005

*STANDARD TOLERANCES APPLY ONLY TO DIMENSIONS IN INCHES

<p>Fairview Microwave RF COMPONENTS ON DEMAND. <i>Done!</i></p>		<p>NOTES: 1. UNLESS OTHERWISE SPECIFIED ALL DIMENSIONS ARE NOMINAL. 2. ALL SPECIFICATIONS ARE SUBJECT TO CHANGE WITHOUT NOTICE AT ANY TIME. 3. DIMENSIONS ARE IN INCHES [mm].</p>						
<p>TITLE Miter RA SMA Male (Plug) to SMA Male (Plug) Adapter, Passivated Stainless Steel Body, 1.35 VSWR, 27 GHz</p>		<p>DWG NO SM5255</p>		<p>CAGE CODE 3FKR5</p>				
CAD FILE	05/16/18	SHEET	1 OF 1	SCALE	N/A	SIZE	A	7361