

# ADAPTER SMA M/M 360° SWIVEL

SM5288

## SPECIFICATIONS

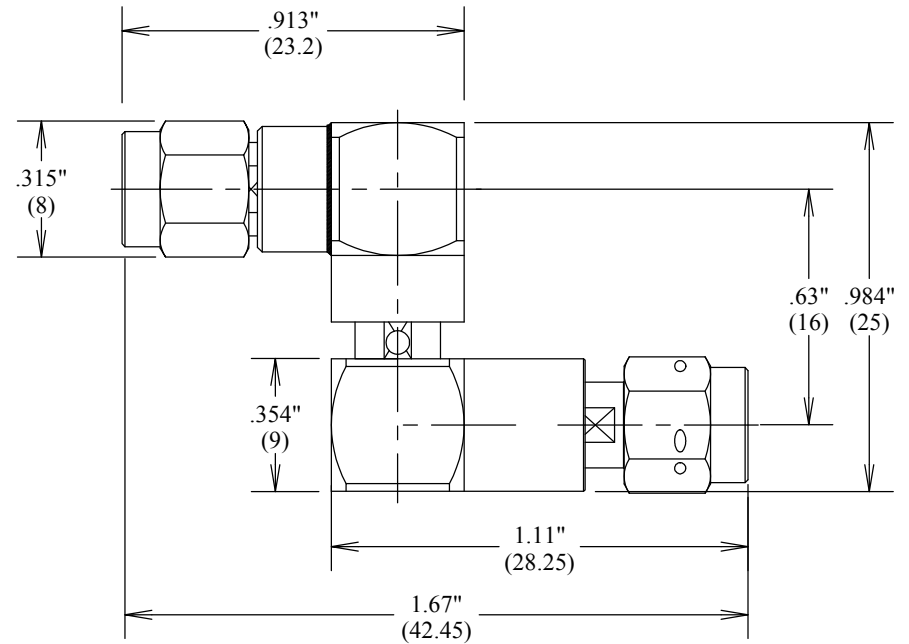
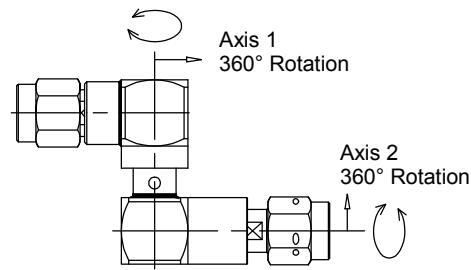
### ELECTRICAL

FREQUENCY: 0-6 GHz  
 VSWR: 1.3:1 MAX @ 6GHz  
 INSERTION LOSS: 0.4dB MAX @ 6GHz  
 IMPEDANCE: 50 OHMS

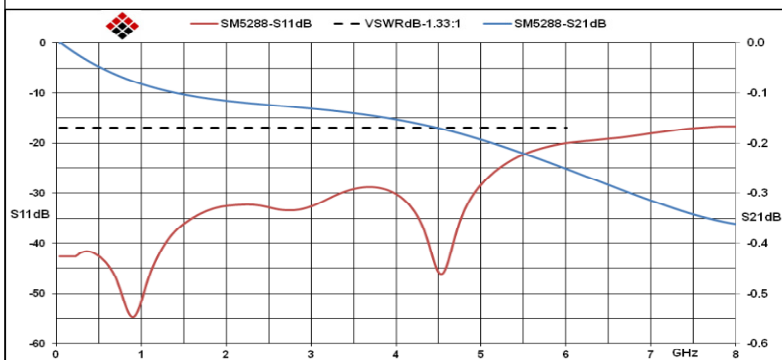
### MECHANICAL

MATERIALS BODY: NICKEL PLATED BRASS  
 CONTACT PLATING: Au OVER NICKEL PHOSPHORUS ALLOY  
 CENTER CONTACT: BeCu  
 INSULATOR: TEFLON  
 INTERFACE: MIL-STD-348

ROHS COMPLIANT



MEASUREMENTS BELOW ARE TYPICAL



ALL DIMENSIONS IN inches(mm) Typical

**FAIRVIEW MICROWAVE INC.**

ALLEN, TX 75013 WWW.FAIRVIEWMICROWAVE.COM

TITLE

**ADAPTER SMA M/M 360° SWIVEL**

SIZE	CAGE CODE	DWG NO	REV
<b>A</b>	3FKR5	<b>SM5288</b>	- -
SCALE	SHEET		