

## SMA Male to 1.0/2.3 Plug Adapter

### Electrical Specifications

Description	Min	Typ	Max	Units
Frequency Range	DC		6	GHz
VSWR			1.15:1	

### Mechanical Specifications

<b>Size</b>		
Length		0.88 in [22.35 mm]
Weight		0.01014 lbs [4.6 g]

Description	Connector 1	Connector 2
Type	SMA Male	1.0/2.3 Plug
Polarity	Standard	Standard
Mating Cycles	500	

### Material Specifications

Description	Connector 1	Connector 2
Type	SMA Male	1.0/2.3 Plug
Contact Material	Brass	Brass
Contact Plating	Gold	Gold
Contact Plating Spec.	MIL-G-45204	MIL-G-45204
Insulation Material	PTFE	PTFE
Body Material	Brass	Brass
Body Plating	Gold	Gold
Coupling Nut Material	Brass	
Coupling Nut Plating	Ternary Alloy	

### Environmental Specifications

#### Temperature

Operating Range -40 to +120 deg C

### Compliance Certifications (visit [www.FairviewMicrowave.com](http://www.FairviewMicrowave.com) for current document)

RoHS Compliant  
REACH Compliant 12/17/2015

### Plotted and Other Data

Notes:

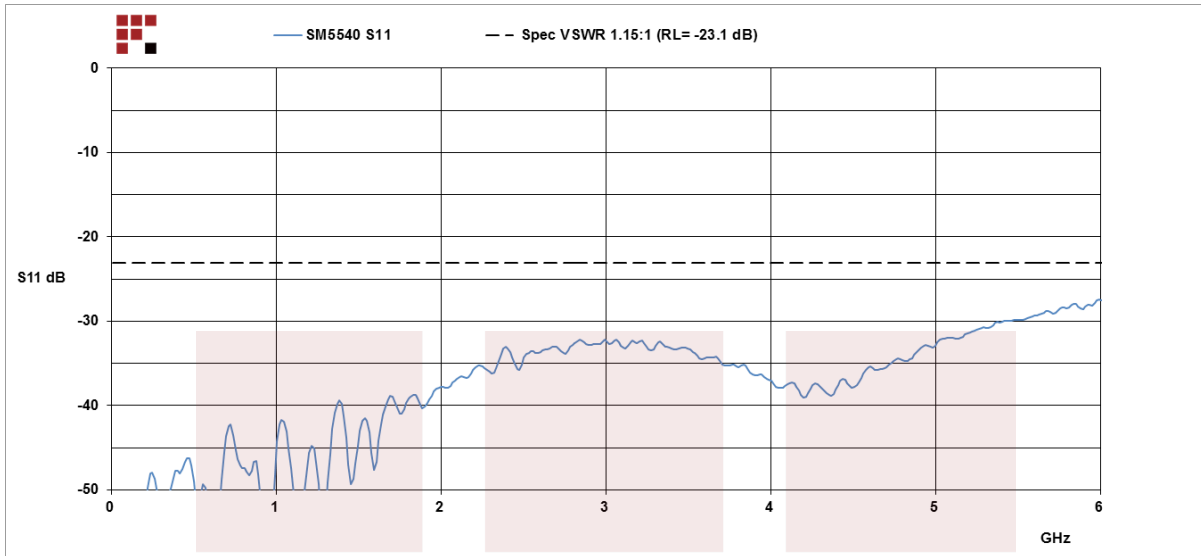


### Configuration:

- SMA Male Connector 1
- 1.0/2.3 Plug Connector 2
- 50 Ohms
- Straight Body Geometry

Fairview Microwave  
1130 Junction Dr. #100  
Allen, TX 75013  
Tel: 1-800-715-4396 / (972) 649-6678  
Fax: (972) 649-6689  
[www.fairviewmicrowave.com](http://www.fairviewmicrowave.com)  
[sales@fairviewmicrowave.com](mailto:sales@fairviewmicrowave.com)

**Typical Performance Data**

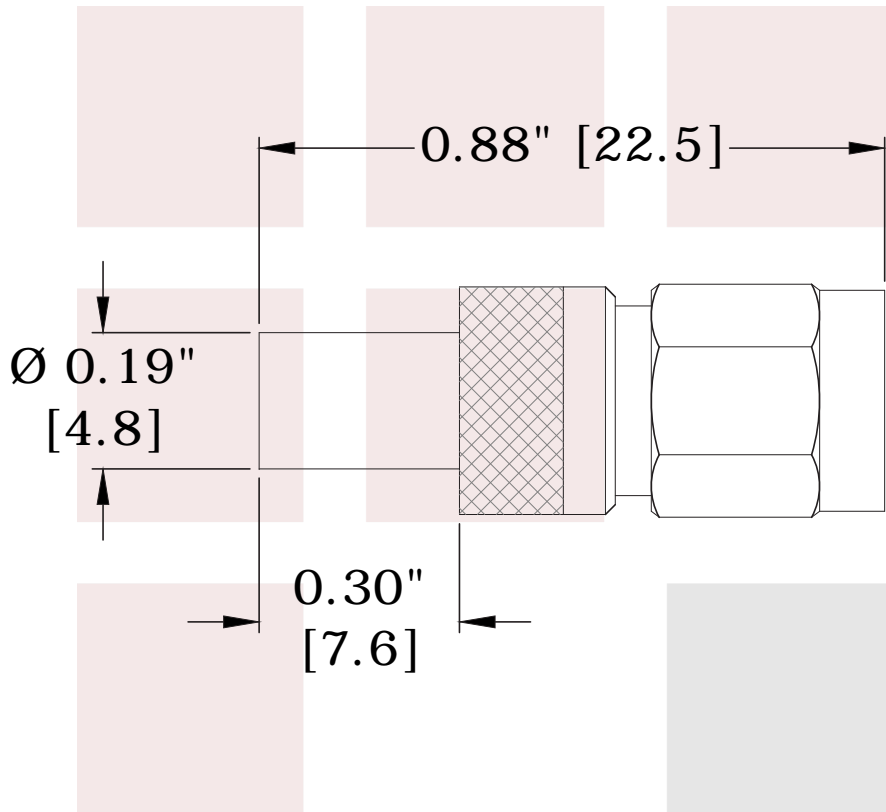


SMA Male to 1.0/2.3 Plug Adapter from Fairview Microwave is in-stock and available to ship same-day. All of our RF/microwave products are available off-the-shelf from our ISO 9001:2008 certified facilities in Allen, Texas. Fairview Microwave is RF on-demand.

For additional information on this product, please click the following link: [SMA Male to 1.0/2.3 Plug Adapter SM5540](#)

URL: <http://www.fairviewmicrowave.com/sma-male-1.0-2.3-plug-adapter-sm5540-p.aspx>

The information contained in this document is accurate to the best of our knowledge and representative of the part described herein. It may be necessary to make modifications to the part and/or the documentation of the part, in order to implement improvements. Fairview Microwave reserves the right to make such changes as required. Unless otherwise stated, all specifications are nominal. Fairview Microwave does not make any representation or warranty regarding the suitability of the part described herein for any particular purpose, and Fairview Microwave does not assume any liability arising out of the use of any part or documentation.



<b>FAIRVIEW MICROWAVE INC.</b> ALLEN, TX 75013 WWW.FAIRVIEWMICROWAVE.COM		NOTES: 1. UNLESS OTHERWISE SPECIFIED ALL DIMENSIONS ARE NOMINAL. 2. ALL SPECIFICATIONS ARE SUBJECT TO CHANGE WITHOUT NOTICE AT ANY TIME. 3. DIMENSIONS ARE IN INCHES [mm].			
TITLE SMA Male to 1.0/2.3 Plug Adapter		DWG NO SM5540		CAGE CODE 3FKR5	
CAD FILE	020916	SHEET	SCALE	N/A	SIZE A 5568