

ADAPTER BZ-JACK SMA-JACK

SM5562

SPECIFICATIONS

ELECTRICAL

FREQUENCY: 0-12 GHZ
IMPEDANCE: 50 OHMS
VSWR 1.2:1 MAX

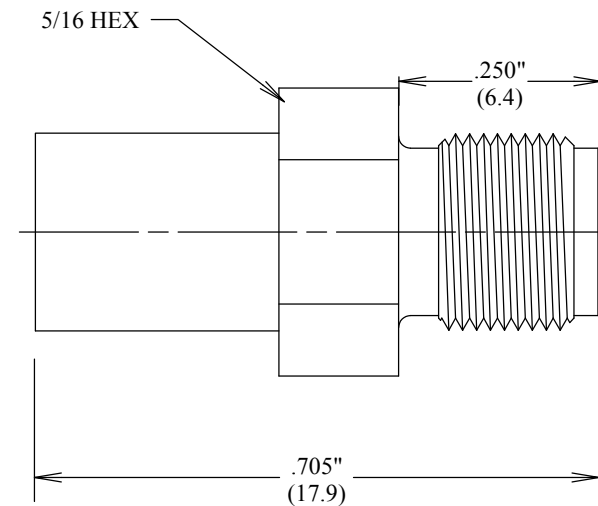
MECHANICAL

DURABILITY: 500 CYCLES MIN.
TEMPERATURE RANGE: -55 TO +125 DEG C

MATERIALS

BODY PASS STAINLESS STEEL
MATERIAL CONTACTS: BeCu
CONTACTS Au PLATING MIL-G-45204
INSULATOR: TEFLON
SPRING: CARBON STEEL WIRE

ROHS COMPLIANT



FAIRVIEW MICROWAVE INC.

ALLEN, TX 75013 WWW.FAIRVIEWMICROWAVE.COM

TITLE

ADAPTER BZ-JACK SMA-JACK

SIZE	CAGE CODE	DWG NO	REV
A	3FKR5	SM5562	--
SCALE		SHEET	

ALL DIMENSIONS IN inches(MM) Typical