

SMA Male to QMA Male Adapter

SMA male to QMA male adapter part number SM5595 from Fairview Microwave is in-stock and ships same day. This Fairview SMA to QMA adapter has a male to male gender configuration. SM5595 SMA male to QMA male adapter is gold plated and operates to 6 GHz. The Fairview Microwave RF adapter provides excellent VSWR of 1.15:1 maximum. The SMA connector mates mechanically with commercially available 3.5mm and 2.92mm (K) connectors.

RF adapters can be used to enable connections between two connector types that would otherwise not mate. Certain RF adapter configurations can also be used to protect connectors on expensive equipment where the number of connect and disconnect cycles is high. An RF, microwave, or millimeter wave adapter is connected to the equipment and the commonly changed connection is made with the adapter which can be easily replaced when it wears out after high usage; such adapters are referred to as connector savers. Fairview Microwave also offers bulkhead, panel mount, hermetically sealed, reverse polarity, and isolated ground adapter varieties to serve all of your RF, microwave and millimeter wave needs.

Electrical Specifications

Description	Min	Typ	Max	Units
Frequency Range	DC		6	GHz
VSWR			1.15:1	
Operating Voltage (AC)			335	Vrms

Electrical Specification Notes:
 Values at 25°C, sea level.

Mechanical Specifications

Size		
Length	1.094 in [27.79 mm]	
Weight	0.01808 lbs [8.2 g]	
Description	Connector 1	Connector 2
Type	SMA Male	QMA Male
Polarity	Standard	Standard
Interface Specification	MIL-STD-348A	MIL-STD-348A
Mating Cycles	500	



Configuration:

- SMA Male Connector 1
- QMA Male Connector 2
- 50 Ohm
- Straight Body Geometry

Features:

- VSWR of 1.15:1 max up to 6 GHz
- SMA interface meets MIL-STD-348A
- QMA interface meets MIL-STD-348A
- 50 μin minimum contact plating
- Gold Plated Brass Contact

Applications:

- Enables Between Series Connections
- General Purpose Test

Fairview Microwave
 1130 Junction Dr. #100
 Allen, TX 75013
 Tel: 1-800-715-4396 / (972) 649-6678
 Fax: (972) 649-6689
www.fairviewmicrowave.com
sales@fairviewmicrowave.com

Material Specifications

Description	Connector 1	Connector 2
Type	SMA Male	QMA Male
Contact Material	Brass	Brass
Contact Plating	Gold	Gold
Contact Plating Spec.	50 µin minimum	50 µin minimum
Insulation Material	PTFE	PTFE
Body Material	Brass	Brass
Body Plating	Gold	Gold
Body Plating Spec.	3 µin minimum	3 µin minimum
Coupling Nut Material	Brass	
Coupling Nut Plating	Gold	
Coupling Nut Plating Spec.	3 µin minimum	

Environmental Specifications

Temperature

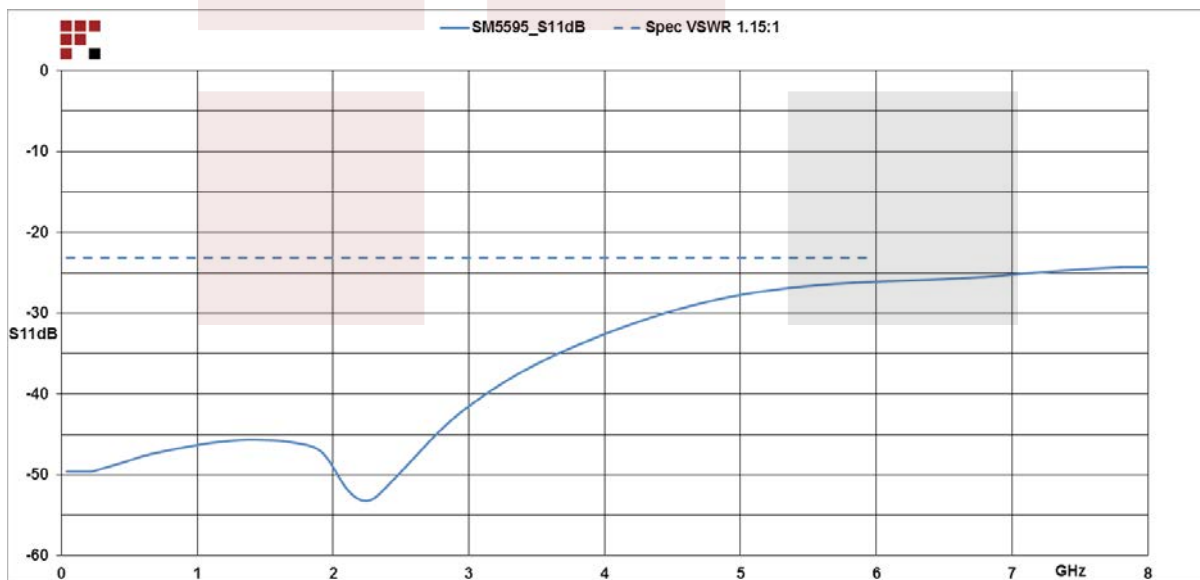
Operating Range -40 to +80 deg C

Compliance Certifications (see [product page](#) for current document)

Plotted and Other Data

Notes:

Typical Performance Data



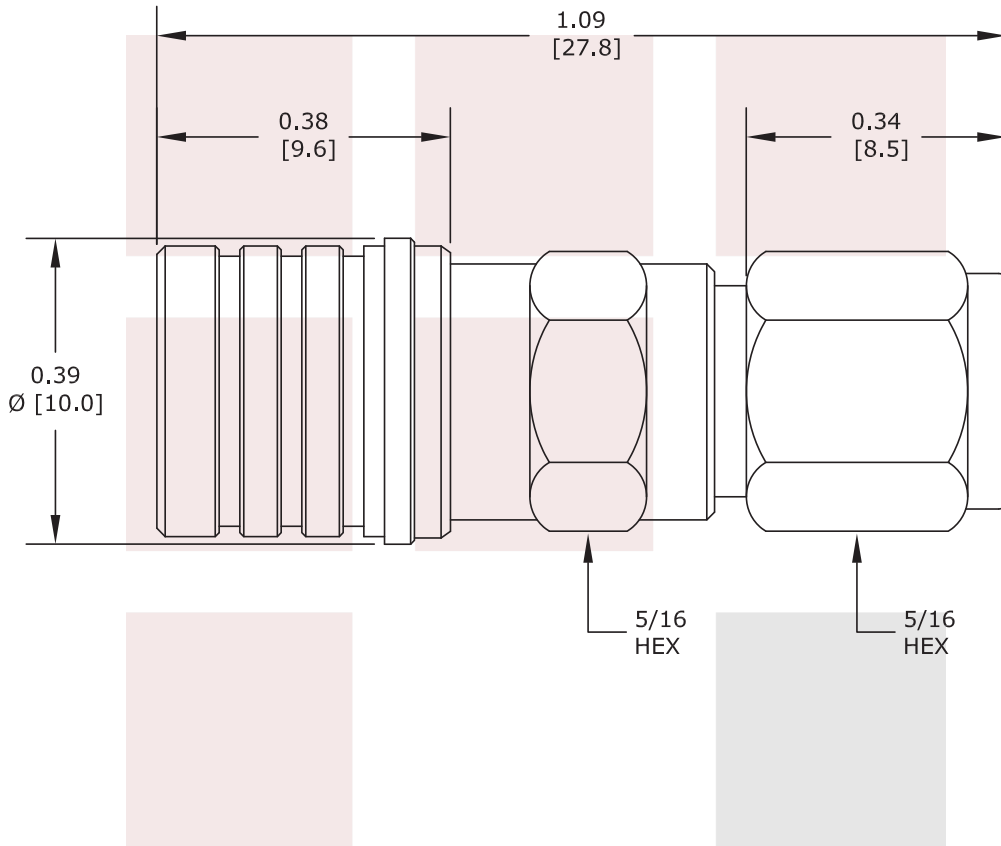
SMA Male to QMA Male Adapter from Fairview Microwave is in-stock and available to ship same-day. All of our RF/microwave products are available off-the-shelf from our ISO 9001:2008 certified facilities in Allen, Texas. Fairview Microwave is RF on-demand.

For additional information on this product, please click the following link: [SMA Male to QMA Male Adapter SM5595](#)

URL: <https://www.fairviewmicrowave.com/sma-male-qma-male-adapter-sm5595-p.aspx>

The information contained in this document is accurate to the best of our knowledge and representative of the part described herein. It may be necessary to make modifications to the part and/or the documentation of the part, in order to implement improvements. Fairview Microwave reserves the right to make such changes as required. Unless otherwise stated, all specifications are nominal. Fairview Microwave does not make any representation or warranty regarding the suitability of the part described herein for any particular purpose, and Fairview Microwave does not assume any liability arising out of the use of any part or documentation.





FAIRVIEW MICROWAVE INC. ALLEN, TX 75013 WWW.FAIRVIEWMICROWAVE.COM		NOTES: 1. UNLESS OTHERWISE SPECIFIED ALL DIMENSIONS ARE NOMINAL. 2. ALL SPECIFICATIONS ARE SUBJECT TO CHANGE WITHOUT NOTICE AT ANY TIME. 3. DIMENSIONS ARE IN INCHES [mm].			
TITLE SMA Male to QMA Male Adapter		DWG NO SM5595		CAGE CODE 3FKR5	
CAD FILE 080714		SHEET	SCALE N/A	SIZE A	150