

RP SMA Male (Plug) to RP TNC Female (Jack) Adapter, Nickel Plated Brass Body, 1.25 VSWR

RP SMA male to RP TNC female adapter part number SM5809 from Fairview Microwave is in-stock and ships same day. This Fairview reverse polarity SMA to reverse polarity TNC adapter has a male to female gender configuration. SM5809 reverse polarity SMA male to reverse polarity TNC female adapter operates to 11 GHz. The Fairview Microwave RF adapter provides excellent VSWR of 1.25:1 maximum.

RF adapters can be used to enable connections between two connector types that would otherwise not mate. Certain RF adapter configurations can also be used to protect connectors on expensive equipment where the number of connect and disconnect cycles is high. An RF, microwave, or millimeter wave adapter is connected to the equipment and the commonly changed connection is made with the adapter which can be easily replaced when it wears out after high usage; such adapters are referred to as connector savers. Fairview Microwave also offers bulkhead, panel mount, hermetically sealed, reverse polarity, and isolated ground adapter varieties to serve all of your RF, microwave and millimeter wave needs.

Electrical Specifications

Description	Min	Typ	Max	Units
Frequency Range	DC		11	GHz
VSWR			1.25:1	

Mechanical Specifications

Size	
Length	1.160 in [29.5 mm]
Weight	0.02601 lbs [11.8 g]

Description	Connector 1	Connector 2
Type	SMA Male	TNC Female
Polarity	Reverse Polarity	Reverse Polarity
Mating Cycles	500	500

Material Specifications

Description	Connector 1	Connector 2
Type	SMA Male	TNC Female
Contact Material	Beryllium Copper	Beryllium Copper
Contact Plating	Gold	Gold
Contact Plating Spec.	MIL-G-45204	MIL-G-45204
Insulation Material	PTFE	PTFE
Body Material	Brass	Brass
Body Plating	Nickel	Nickel

Environmental Specifications

Temperature	
Operating Range	-45 to +100 deg C



Configuration:

- SMA Male Reverse Polarity Connector 1
- TNC Female Reverse Polarity Connector 2
- 50 Ohm
- Straight Body Geometry

Features:

- VSWR of 1.25:1 max up to 11 GHz
- Contact plating according to MIL-G-45204
- Gold Plated Beryllium Copper Contact

Applications:

- Enables Between Series Connections
- General Purpose Test

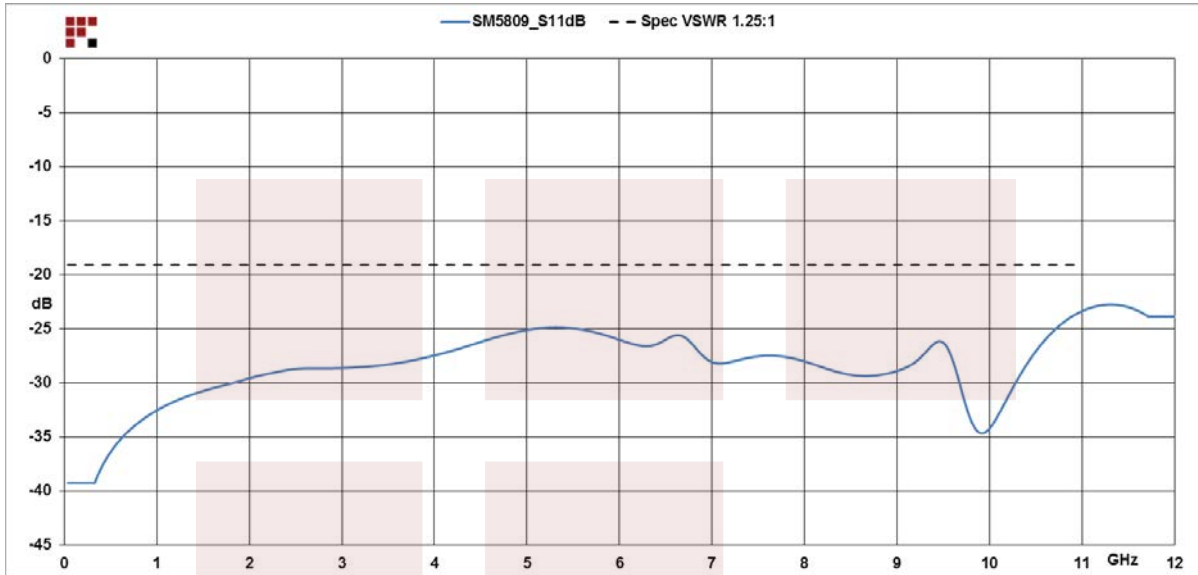
Fairview Microwave
 301 Leora Ln., Suite 100
 Lewisville, TX 75056
 Tel: 1-800-715-4396 / (972) 649-6678
 Fax: (972) 649-6689
www.fairviewmicrowave.com
sales@fairviewmicrowave.com

Compliance Certifications (see [product page](#) for current document)

Plotted and Other Data

Notes:

Typical Performance Data

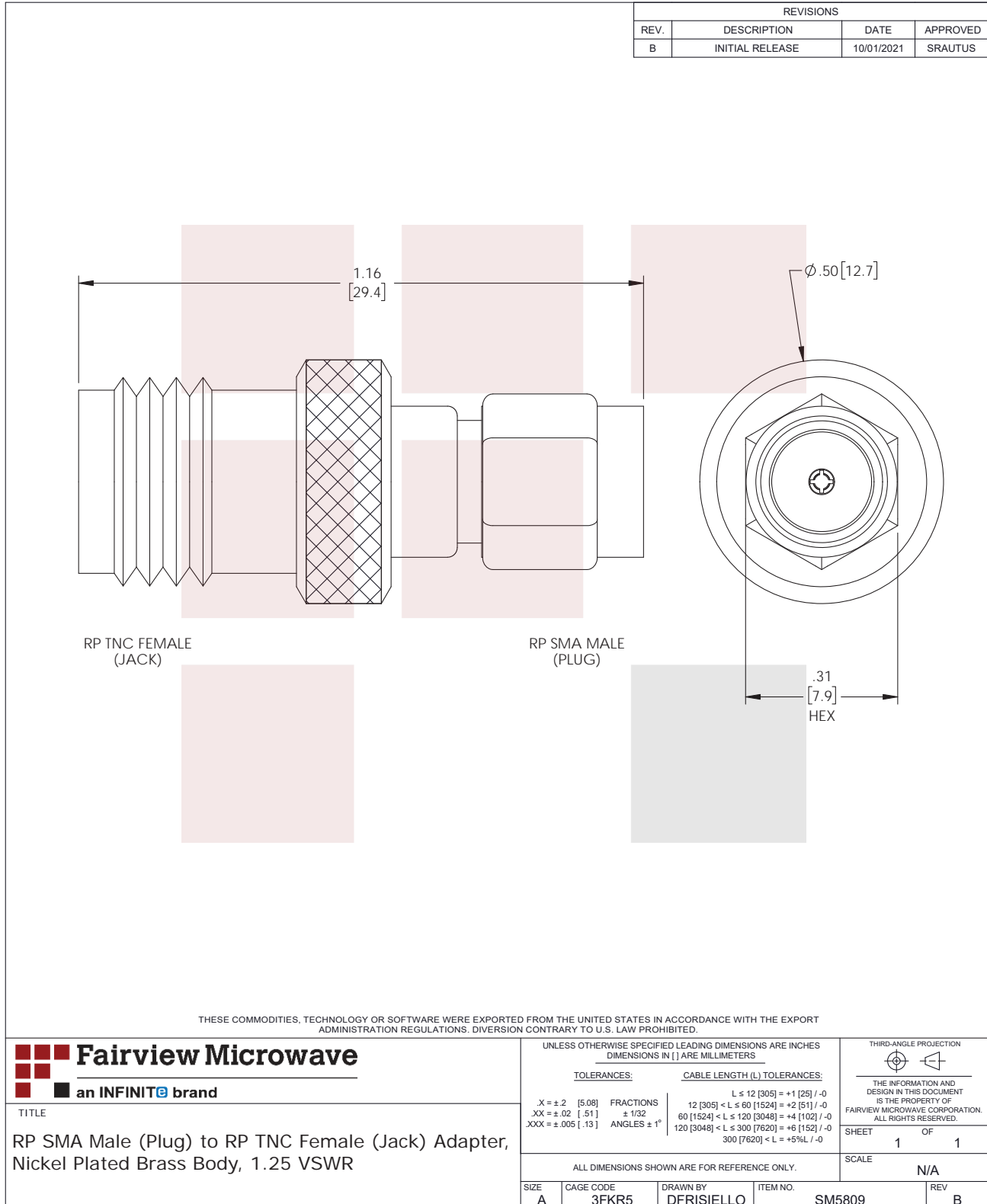


RP SMA Male (Plug) to RP TNC Female (Jack) Adapter, Nickel Plated Brass Body, 1.25 VSWR from Fairview Microwave is in-stock and available to ship same-day. All of our RF/microwave products are available off-the-shelf from our ISO 9001:2008 certified facilities in Lewisville, Texas. Fairview Microwave is RF on-demand.

For additional information on this product, please click the following link: [RP SMA Male \(Plug\) to RP TNC Female \(Jack\) Adapter, Nickel Plated Brass Body, 1.25 VSWR SM5809](#)

URL: <https://www.fairviewmicrowave.com/rp-sma-male-rp-tnc-female-adapter-sm5809-p.aspx>

The information contained in this document is accurate to the best of our knowledge and representative of the part described herein. It may be necessary to make modifications to the part and/or the documentation of the part, in order to implement improvements. Fairview Microwave reserves the right to make such changes as required. Unless otherwise stated, all specifications are nominal. Fairview Microwave does not make any representation or warranty regarding the suitability of the part described herein for any particular purpose, and Fairview Microwave does not assume any liability arising out of the use of any part or documentation.



T-Rev.D