

**RP SMA Female to TNC Female Adapter**

**Electrical Specifications**

Frequency Range DC to 11 GHz  
 Maximum VSWR 1.2:1

**Mechanical Specifications**

**Size**  
 Length 1.12 in [28.45 mm]  
 Width 0.5 in [12.7 mm]

**Connector 1**

Type	SMA Female Reverse Polarity
Inner Conductor Material and Plating	Gold
Inner Conductor Plating Specification	MIL-G-45204
Body Material and Plating	Brass, Nickel
Dielectric Type	Teflon

**Connector 2**

Type	TNC Female
Inner Conductor Material and Plating	Gold
Inner Conductor Plating Specification	MIL-G-45204
Body Material and Plating	Brass, Nickel
Dielectric Type	Teflon

**Environmental Specifications**

**Temperature**  
 Operating Range -65 to +165 deg C

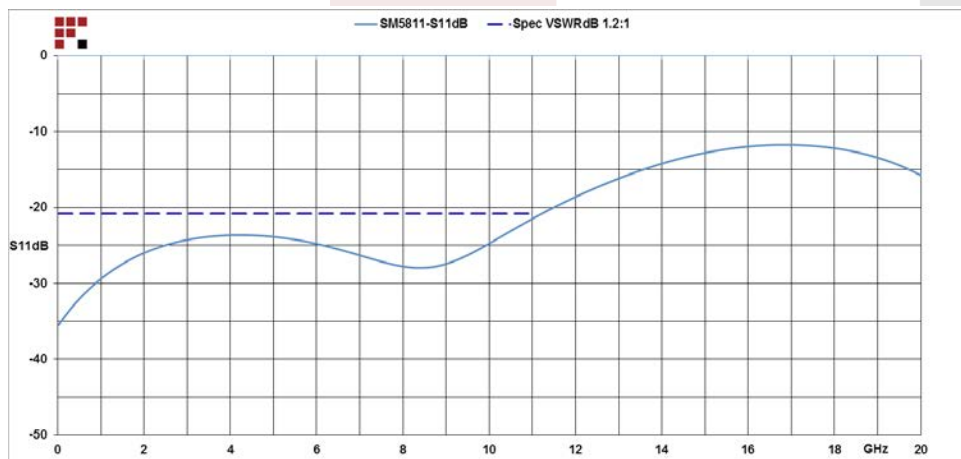
**Compliance Certifications** (visit [www.FairviewMicrowave.com](http://www.FairviewMicrowave.com) for current document)

RoHS Compliant Yes

**Plotted and Other Data**

Notes:  
 • Values at 25 °C, sea level

**Typical Performance Data**



**Features:**

- Connector 1: SMA Female Reverse Polarity
- Impedance 1: 50 Ohms
- Connector Specification 1: MIL-C-39012
- Connector 2: TNC Female
- Impedance 2: 50 Ohms
- Connector Specification 2: MIL-C-39012
- Adapter Design: Standard
- Body Style: Straight

Fairview Microwave  
 1130 Junction Dr. #100  
 Allen, TX 75013  
 Tel: 1-800-715-4396 / (972) 649-6678  
 Fax: (972) 649-6689  
[www.fairviewmicrowave.com](http://www.fairviewmicrowave.com)  
[sales@fairviewmicrowave.com](mailto:sales@fairviewmicrowave.com)

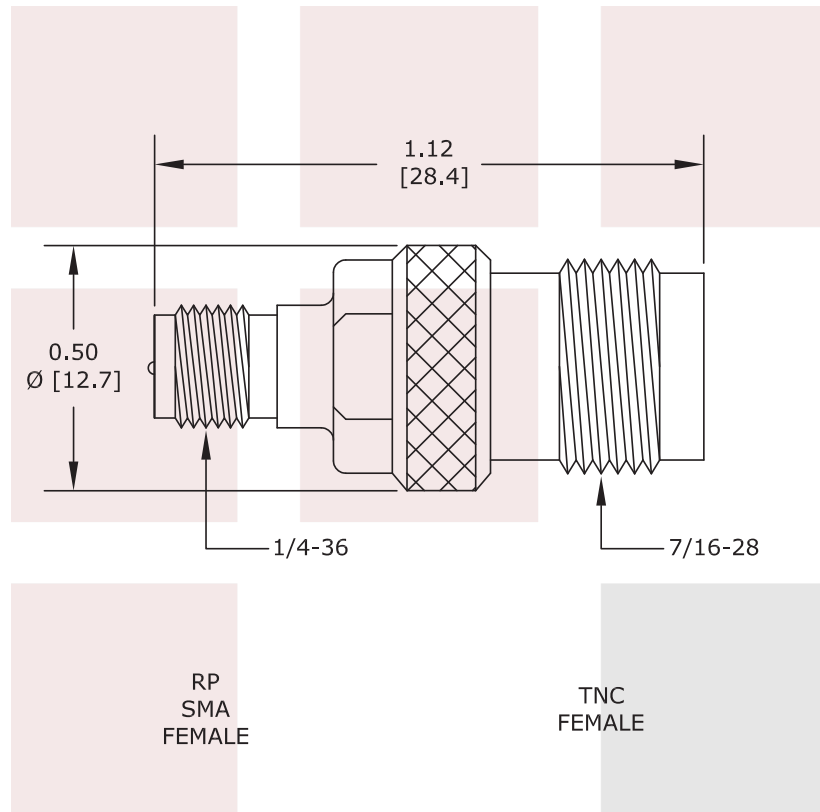
RP SMA Female to TNC Female Adapter from Fairview Microwave is in-stock and available to ship same-day. All of our RF/microwave products are available off-the-shelf from our ISO 9001:2008 certified facilities in Allen, Texas. Fairview Microwave is RF on-demand.

For additional information on this product, please click the following link: [RP SMA Female to TNC Female Adapter SM5811](#)

URL: <http://www.fairviewmicrowave.com/rp-sma-female-tnc-female-adapter-sm5811-p.aspx>

The information contained in this document is accurate to the best of our knowledge and representative of the part described herein. It may be necessary to make modifications to the part and/or the documentation of the part, in order to implement improvements. Fairview Microwave reserves the right to make such changes as required. Unless otherwise stated, all specifications are nominal. Fairview Microwave does not make any representation or warranty regarding the suitability of the part described herein for any particular purpose, and Fairview Microwave does not assume any liability arising out of the use of any part or documentation.





<b>FAIRVIEW MICROWAVE INC.</b> ALLEN, TX 75013 WWW.FAIRVIEWMICROWAVE.COM		NOTES: 1. UNLESS OTHERWISE SPECIFIED ALL DIMENSIONS ARE NOMINAL. 2. ALL SPECIFICATIONS ARE SUBJECT TO CHANGE WITHOUT NOTICE AT ANY TIME. 3. DIMENSIONS ARE IN INCHES [mm].			
TITLE RP SMA Female to TNC Female Adapter		DWG NO SM5811		CAGE CODE 3FKR5	
CAD FILE	101514	SHEET	SCALE	N/A	SIZE A 150