

# TNC/M REVERSE POLARITY- TNC/F REVERSE POLARITY ADAPTER

SM5836

## SPECIFICATIONS

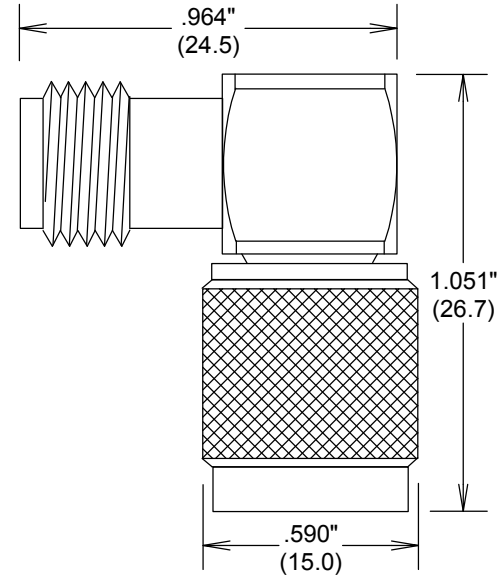
### ELECTRICAL

FREQUENCY: 0-6 GHZ  
IMPEDANCE: 50 OHMS

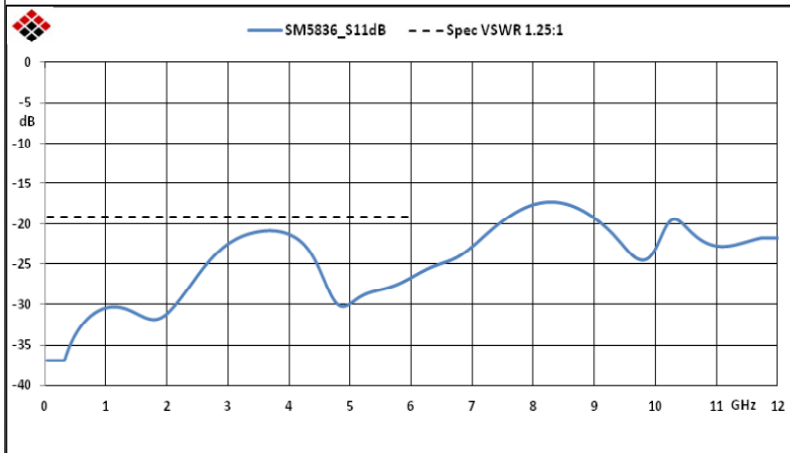
### MECHANICAL

MATERIALS BODY: NICKEL PLATED BRASS  
MATERIALS FEMALE CONTACT: BRASS  
MATERIALS MALE CONTACT: BeCu  
CONTACT PLATING: Au PER MIL-G-45204  
DIELECTRIC: TEFLON  
INTERFACE: MIL-STD-348B  
OPERATING TEMPERATURE: -45°C - +120°C

ROHS COMPLIANT



MEASUREMENTS BELOW ARE TYPICAL



ALL DIMENSIONS IN inches(MM) Typical

**FAIRVIEW MICROWAVE INC.**

ALLEN, TX 75013 WWW.FAIRVIEWMICROWAVE.COM

TITLE

**TNC/M REVERSE POLARITY-  
TNC/F REVERSE POLARITY ADAPTER**

SIZE	CAGE CODE	DWG NO	REV
<b>A</b>	<b>3FKR5</b>	<b>SM5836</b>	<b>A</b>
SCALE	SHEET		