

BNC Triax T Adapter Male Female Female

Electrical Specifications

Description	Min	Typ	Max	Units
Frequency Range	DC		500	MHz
Operating Voltage (DC)			500	Vdc
DWV (AC)			1,500	Vrms

Mechanical Specifications

Size	
Length	1.28 in [32.51 mm]
Width	1.08 in [27.43 mm]
Weight	0.04938 lbs [22.4 g]

Description	Connector 1	Connector 2
Type	BNC Triax Male	BNC Triax Female
Polarity	Standard	Standard

Material Specifications

Description	Connector 1	Connector 2
Type	BNC Triax Male	BNC Triax Female
Contact Material	Brass	Beryllium Copper
Contact Plating	Gold	Gold
Contact Plating Spec.	MIL-G-45204	MIL-G-45204
Insulation Material	Teflon	Teflon
Outer Contact Plating		Nickel
Body Material	Brass	Brass
Body Plating	Nickel	Nickel

Environmental Specifications

Temperature	
Operating Range	-65 to +175 deg C

Compliance Certifications (visit www.FairviewMicrowave.com for current document)

RoHS Compliant	
REACH Compliant	12/17/2015

Plotted and Other Data

Notes:



Configuration:

- BNC Triax Male Connector 1
- BNC Triax Female Connector 2
- Tee Body Geometry

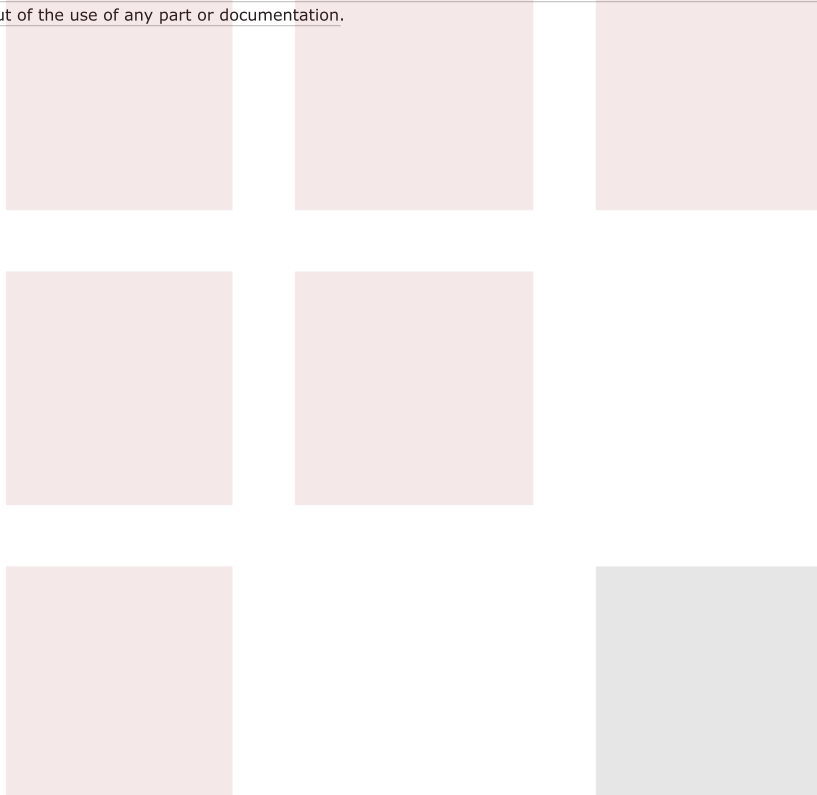
Fairview Microwave
 1130 Junction Dr. #100
 Allen, TX 75013
 Tel: 1-800-715-4396 / (972) 649-6678
 Fax: (972) 649-6689
www.fairviewmicrowave.com
sales@fairviewmicrowave.com

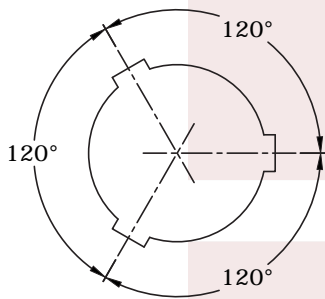
BNC Triax T Adapter Male Female Female from Fairview Microwave is in-stock and available to ship same-day. All of our RF/microwave products are available off-the-shelf from our ISO 9001:2008 certified facilities in Allen, Texas. Fairview Microwave is RF on-demand.

For additional information on this product, please click the following link: [BNC Triax T Adapter Male Female Female SM6724](#)

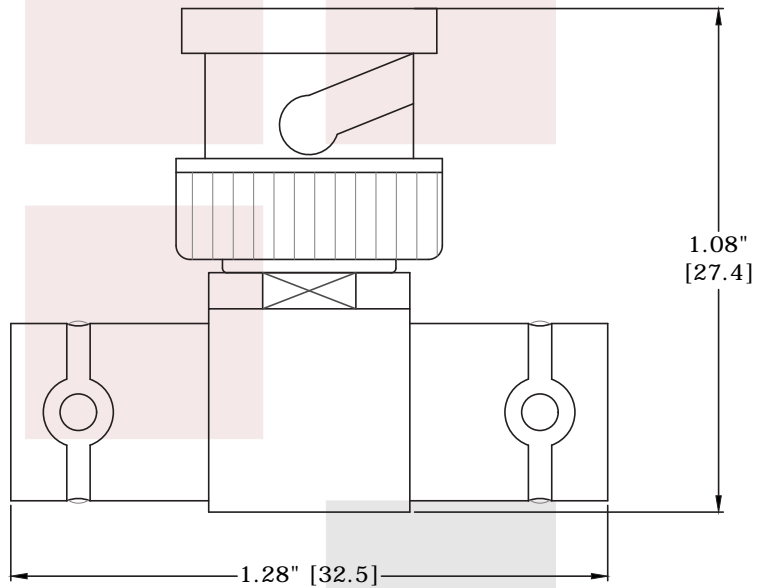
URL: <http://www.fairviewmicrowave.com/bnc-triax-male-female-female-tee-adapter-sm6724-p.aspx>

The information contained in this document is accurate to the best of our knowledge and representative of the part described herein. It may be necessary to make modifications to the part and/or the documentation of the part, in order to implement improvements. Fairview Microwave reserves the right to make such changes as required. Unless otherwise stated, all specifications are nominal. Fairview Microwave does not make any representation or warranty regarding the suitability of the part described herein for any particular purpose, and Fairview Microwave does not assume any liability arising out of the use of any part or documentation.





JACK POLARITY



FAIRVIEW MICROWAVE INC. ALLEN, TX 75013 WWW.FAIRVIEWMICROWAVE.COM		NOTES: 1. UNLESS OTHERWISE SPECIFIED ALL DIMENSIONS ARE NOMINAL. 2. ALL SPECIFICATIONS ARE SUBJECT TO CHANGE WITHOUT NOTICE AT ANY TIME. 3. DIMENSIONS ARE IN INCHES [mm].			
TITLE BNC Triax T Adapter Male Female Female		DWG NO SM6724		CAGE CODE 3FKR5	
CAD FILE	012016	SHEET	SCALE	N/A	SIZE A 5568