

N Female to N Female Bulkhead Adapter

Type N female to type N female bulkhead adapter part number SM8315 from Fairview Microwave is in-stock and ships same day. This Fairview type N to type N adapter has a female to female gender configuration. SM8315 type N female to type N female adapter operates to 3 GHz. The Fairview Microwave RF adapter provides excellent VSWR of 1.2:1 maximum. Our RF type N to type N bulkhead adapter allows designers to create external connections on their product enclosures, and can be used in a variety of other rack mount and panel mount applications.

RF adapters can be used to enable connections between two connector types that would otherwise not mate. Certain RF adapter configurations can also be used to protect connectors on expensive equipment where the number of connect and disconnect cycles is high. An RF, microwave, or millimeter wave adapter is connected to the equipment and the commonly changed connection is made with the adapter which can be easily replaced when it wears out after high usage; such adapters are referred to as connector savers. Fairview Microwave also offers bulkhead, panel mount, hermetically sealed, reverse polarity, and isolated ground adapter varieties to serve all of your RF, microwave and millimeter wave needs.

Electrical Specifications

| Description | Min | Typ | Max | Units |
|------------------------|-----|-----|-------|-------|
| Frequency Range | DC | | 3 | GHz |
| VSWR | | | 1.2:1 | |
| Operating Voltage (AC) | | | 500 | Vrms |

Electrical Specification Notes:
Values at 25°C, sea level.

Mechanical Specifications

| Size | |
|--------|----------------------|
| Length | 1.5 in [38.0 mm] |
| Height | 0.787 in [19.99 mm] |
| Weight | 0.0965 lbs [43.77 g] |

| Description | Connector 1 | Connector 2 |
|-------------------------|-------------|-------------|
| Type | N Female | N Female |
| Polarity | Standard | Standard |
| Interface Specification | MIL-STD-348 | MIL-STD-348 |
| Mating Cycles | 500 | 500 |



Configuration:

- N Female Connector 1
- N Female Connector 2
- 50 Ohm
- Straight Body Geometry
- Bulkhead Mount Method

Features:

- VSWR of 1.2:1 max up to 3 GHz
- Type N interface meets MIL-STD-348
- Gold Plated Brass Contact

Applications:

- General Purpose Test
- Rack Mounted Equipment

Fairview Microwave
301 Leora Ln., Suite 100
Lewisville, TX 75056
Tel: 1-800-715-4396 / (972) 649-6678
Fax: (972) 649-6689
www.fairviewmicrowave.com
sales@fairviewmicrowave.com

Material Specifications

| Description | Connector 1 | Connector 2 |
|-----------------------------|-----------------|-----------------|
| Type | N Female | N Female |
| Contact Material | Brass | Brass |
| Contact Plating | Gold | Gold |
| Insulation Material | PTFE | PTFE |
| Outer Contact Material | Brass | Brass |
| Outer Contact Plating | Nickel | Nickel |
| Outer Contact Plating Spec. | 100 µin minimum | 100 µin minimum |

Environmental Specifications

Temperature

Operating Range

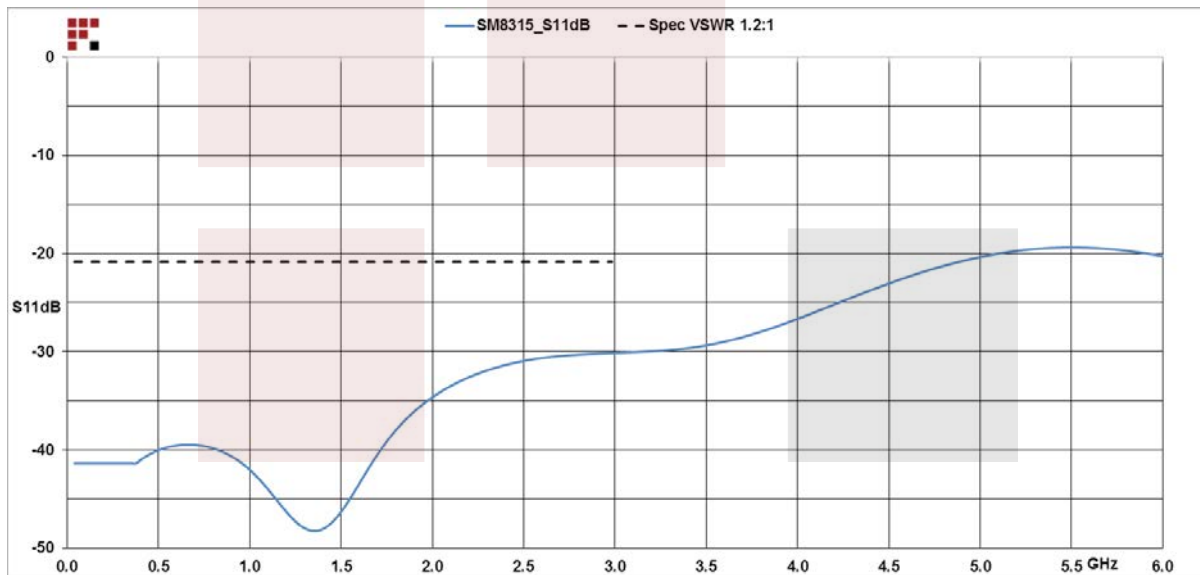
-65 to +165 deg C

Compliance Certifications (see [product page](#) for current document)

Plotted and Other Data

Notes:

Typical Performance Data

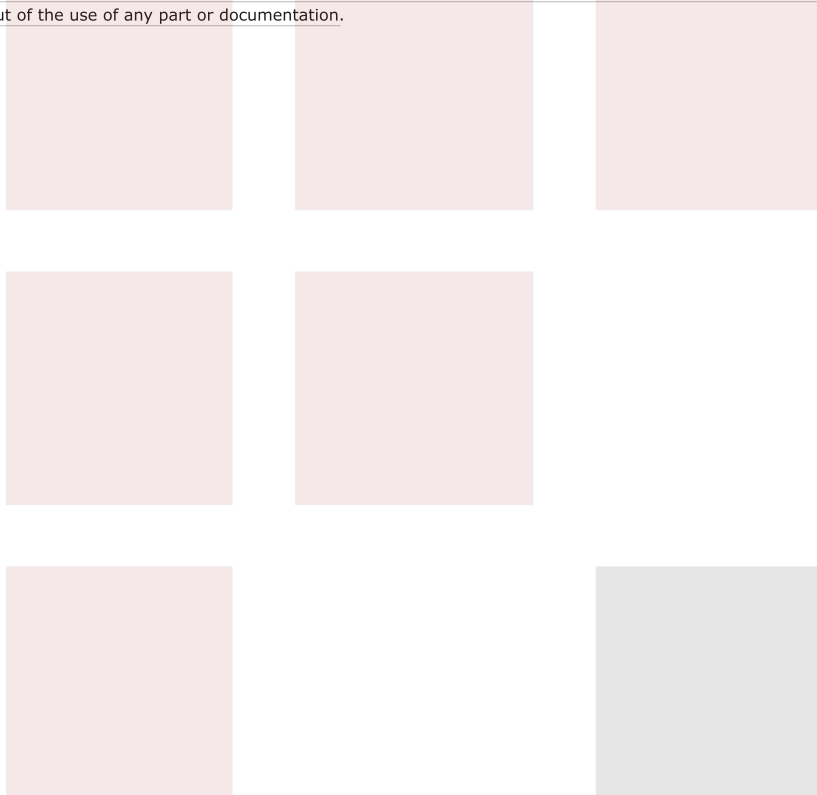


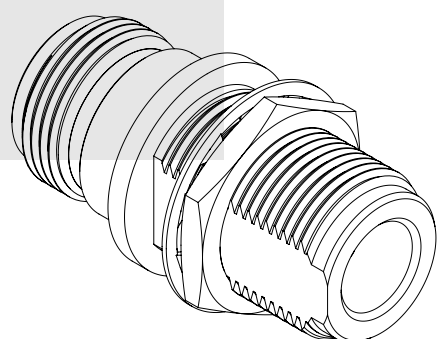
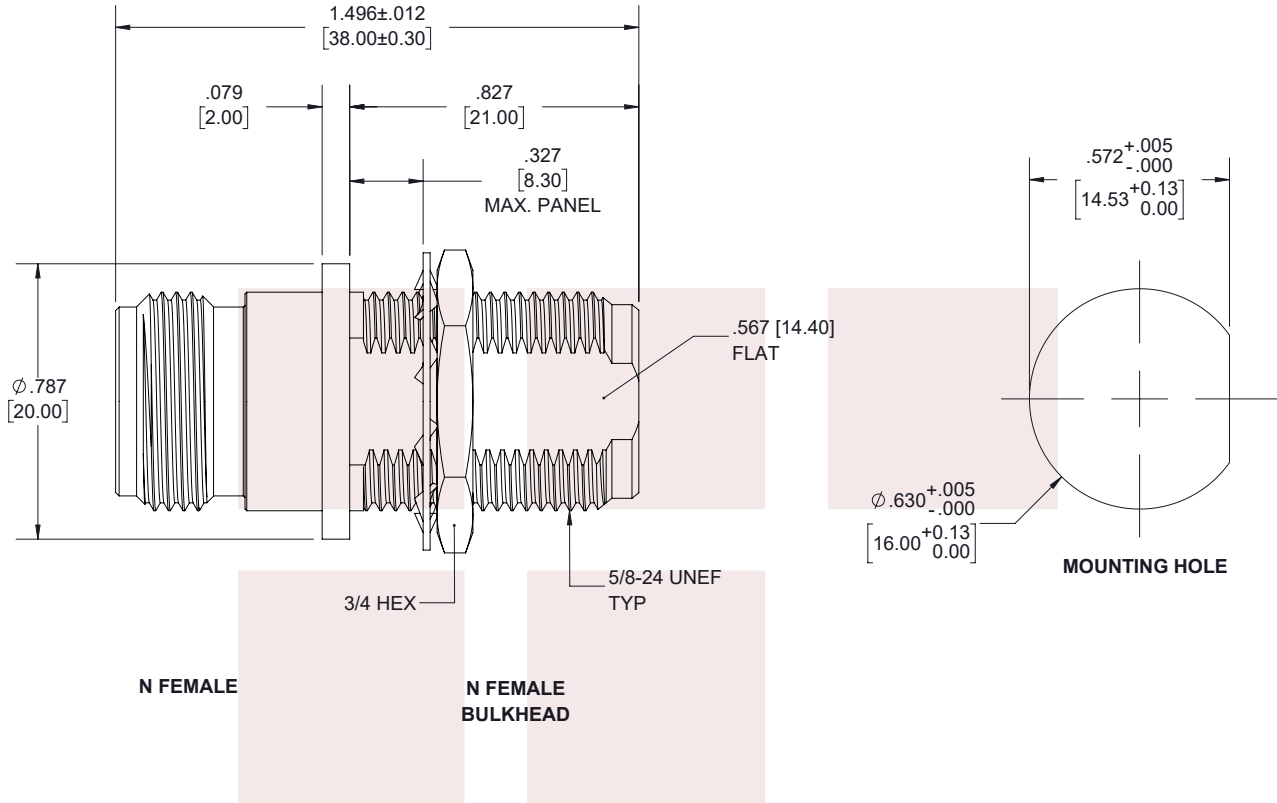
N Female to N Female Bulkhead Adapter from Fairview Microwave is in-stock and available to ship same-day. All of our RF/microwave products are available off-the-shelf from our ISO 9001:2008 certified facilities in Lewisville, Texas. Fairview Microwave is RF on-demand.

For additional information on this product, please click the following link: [N Female to N Female Bulkhead Adapter SM8315](#)

URL: <https://www.fairviewmicrowave.com/n-female-n-female-bulkhead-adapter-sm8315-p.aspx>

The information contained in this document is accurate to the best of our knowledge and representative of the part described herein. It may be necessary to make modifications to the part and/or the documentation of the part, in order to implement improvements. Fairview Microwave reserves the right to make such changes as required. Unless otherwise stated, all specifications are nominal. Fairview Microwave does not make any representation or warranty regarding the suitability of the part described herein for any particular purpose, and Fairview Microwave does not assume any liability arising out of the use of any part or documentation.





| STANDARD TOLERANCES | |
|---------------------|--------|
| .X | ±0.2 |
| .XX | ±0.01 |
| .XXX | ±0.005 |

*STANDARD TOLERANCES APPLY ONLY TO DIMENSIONS IN INCHES

| | | | | | | | |
|---|----------|---|--------|----------------------------|-----|--------|------|
| <p>Fairview Microwave an INFINIT[®] brand</p> | | <p>NOTES: 1. UNLESS OTHERWISE SPECIFIED ALL DIMENSIONS ARE NOMINAL. 2. ALL SPECIFICATIONS ARE SUBJECT TO CHANGE WITHOUT NOTICE AT ANY TIME. 3. DIMENSIONS ARE IN INCHES [mm].</p> | | | | | |
| <p>TITLE N Female to N Female Bulkhead Adapter</p> | | <p>DWG NO SM8315</p> | | <p>CAGE CODE 3FKR5</p> | | | |
| CAD FILE | 10/09/19 | SHEET | 1 OF 1 | SCALE | N/A | SIZE A | 7361 |