

2.92mm Male to SMP Female Adapter

2.92mm male to SMP female adapter part number SM8856 from Fairview Microwave is in-stock and ships same day. This Fairview 2.92mm to SMP adapter has a male to female gender configuration. SM8856 2.92mm male to SMP female adapter operates to 40 GHz. The 2.92mm connector mates mechanically with commercially available SMA and 3.5mm connectors. The Fairview Microwave RF adapter provides excellent VSWR of 1.25:1 maximum.

RF adapters can be used to enable connections between two connector types that would otherwise not mate. Certain RF adapter configurations can also be used to protect connectors on expensive equipment where the number of connect and disconnect cycles is high. An RF, microwave, or millimeter wave adapter is connected to the equipment and the commonly changed connection is made with the adapter which can be easily replaced when it wears out after high usage; such adapters are referred to as connector savers. Fairview Microwave also offers bulkhead, panel mount, hermetically sealed, reverse polarity, and isolated ground adapter varieties to serve all of your RF, microwave and millimeter wave needs.

Electrical Specifications

Description	Min	Typ	Max	Units
Frequency Range	DC		40	GHz
VSWR			1.25:1	

Electrical Specification Notes:
 Values at 25°C, sea level.

Mechanical Specifications

Size	
Length	0.88 in [22.35 mm]
Weight	0.00882 lbs [4 g]

Description	Connector 1	Connector 2
Type	2.92mm Male	SMP Female
Polarity	Standard	Standard
Interface Specification	MIL-STD-348	MIL-STD-348



Configuration:

- 2.92mm Male Connector 1
- SMP Female Connector 2
- 50 Ohms
- Straight Body Geometry

Features:

- VSWR of 1.25:1 max up to 40 GHz
- 2.92mm interface meets MIL-STD-348
- SMP interface meets MIL-STD-348
- Contact plating according to MIL-G-45204
- Gold Plated Beryllium Copper Contact

Applications:

- Enables Between Series Connections
- General Purpose Test

Fairview Microwave
 1130 Junction Dr. #100
 Allen, TX 75013
 Tel: 1-800-715-4396 / (972) 649-6678
 Fax: (972) 649-6689
www.fairviewmicrowave.com
sales@fairviewmicrowave.com

Material Specifications

Description	Connector 1	Connector 2
Type	2.92mm Male	SMP Female
Contact Material	Beryllium Copper	Beryllium Copper
Contact Plating	Gold	Gold
Contact Plating Spec.	MIL-G-45204	MIL-G-45204
Insulation Material	PTFE	PTFE
Outer Contact Material		Beryllium Copper
Outer Contact Plating		Gold
Outer Conductor Contact Spec.		MIL-G-45204
Body Material	Beryllium Copper	
Body Plating	Gold	
Body Plating Spec.	MIL-G-45204	
Coupling Nut Material	Passivated Stainless Steel	
Coupling Nut Plating Spec.	AMS-QQ-P-35	

Environmental Specifications

Temperature

Operating Range

-65 to +165 deg C

Compliance Certifications (see [product page](#) for current document)

Plotted and Other Data

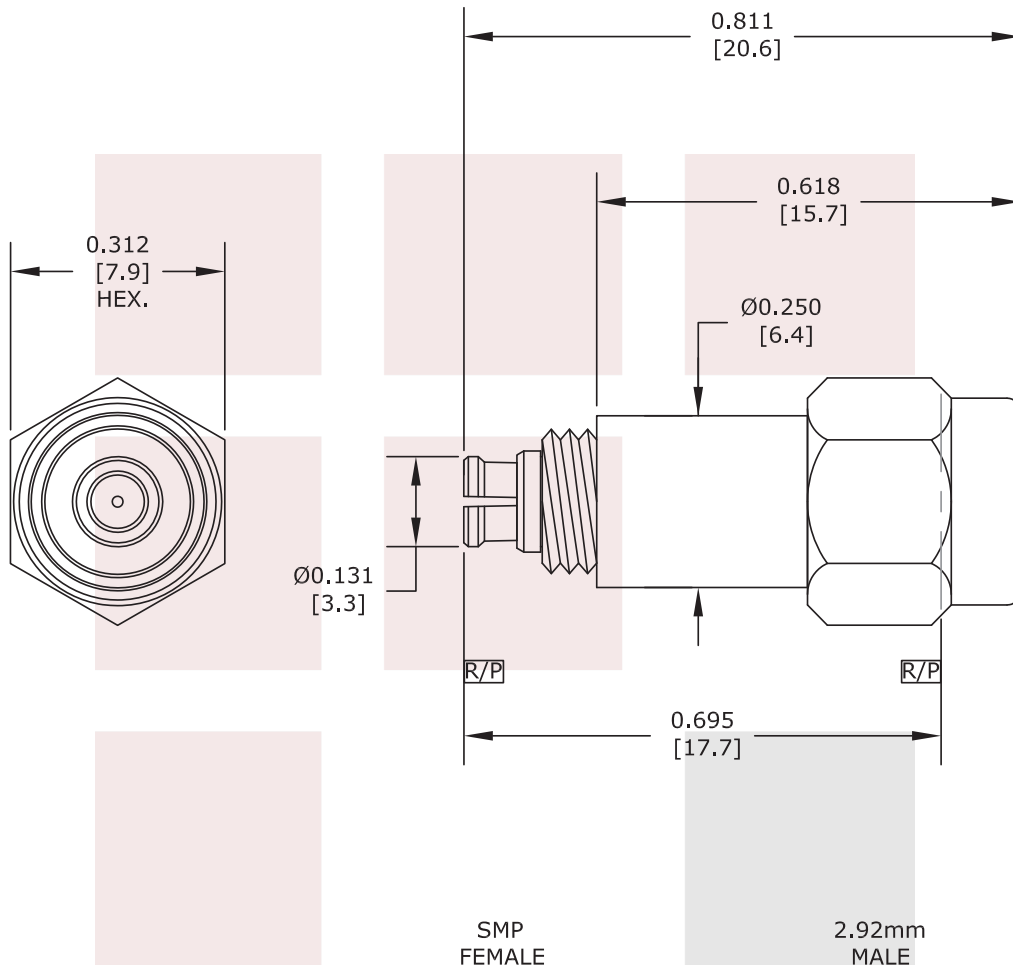
Notes:

2.92mm Male to SMP Female Adapter from Fairview Microwave is in-stock and available to ship same-day. All of our RF/microwave products are available off-the-shelf from our ISO 9001:2008 certified facilities in Allen, Texas. Fairview Microwave is RF on-demand.

For additional information on this product, please click the following link: [2.92mm Male to SMP Female Adapter SM8856](#)

URL: <https://www.fairviewmicrowave.com/2.92mm-male-smp-female-adapter-sm8856-p.aspx>

The information contained in this document is accurate to the best of our knowledge and representative of the part described herein. It may be necessary to make modifications to the part and/or the documentation of the part, in order to implement improvements. Fairview Microwave reserves the right to make such changes as required. Unless otherwise stated, all specifications are nominal. Fairview Microwave does not make any representation or warranty regarding the suitability of the part described herein for any particular purpose, and Fairview Microwave does not assume any liability arising out of the use of any part or documentation.



STANDARD TOLERANCES	
.X	±0.2
.XX	±0.1
.XXX	±0.05

*STANDARD TOLERANCES APPLY ONLY TO DIMENSIONS IN INCHES

FAIRVIEW MICROWAVE INC. ALLEN, TX 75013 WWW.FAIRVIEWMICROWAVE.COM		NOTES: 1. UNLESS OTHERWISE SPECIFIED ALL DIMENSIONS ARE NOMINAL. 2. ALL SPECIFICATIONS ARE SUBJECT TO CHANGE WITHOUT NOTICE AT ANY TIME. 3. DIMENSIONS ARE IN INCHES [mm].			
TITLE 2.92mm Male to SMP Female Adapter		DWG NO SM8856		CAGE CODE 3FKR5	
CAD FILE	090916	SHEET	SCALE	N/A	SIZE A 41742