

## 2.92mm Male to Mini SMP Female Adapter

2.92mm male to Mini SMP female adapter part number SM8923 from Fairview Microwave is in-stock and ships same day. This Fairview 2.92mm to Mini SMP adapter has a male to female gender configuration. SM8923 2.92mm male to Mini SMP female adapter operates to 40 GHz. The Fairview Microwave RF adapter provides good VSWR of 1.4:1 maximum. The 2.92mm connector mates mechanically with commercially available SMA and 3.5mm connectors.

RF adapters can be used to enable connections between two connector types that would otherwise not mate. Certain RF adapter configurations can also be used to protect connectors on expensive equipment where the number of connect and disconnect cycles is high. An RF, microwave, or millimeter wave adapter is connected to the equipment and the commonly changed connection is made with the adapter which can be easily replaced when it wears out after high usage; such adapters are referred to as connector savers. Fairview Microwave also offers bulkhead, panel mount, hermetically sealed, reverse polarity, and isolated ground adapter varieties to serve all of your RF, microwave and millimeter wave needs.

### Electrical Specifications

| Description     | Min | Typ | Max   | Units |
|-----------------|-----|-----|-------|-------|
| Frequency Range | DC  |     | 40    | GHz   |
| VSWR            |     |     | 1.4:1 |       |

Electrical Specification Notes:  
 Values at 25°C, sea level.

### Mechanical Specifications

| Size   |                    |
|--------|--------------------|
| Length | 0.83 in [21.08 mm] |
| Weight | 0.011 lbs [4.99 g] |

| Description             | Connector 1 | Connector 2     |
|-------------------------|-------------|-----------------|
| Type                    | 2.92mm Male | Mini SMP Female |
| Polarity                | Standard    | Standard        |
| Interface Specification | MIL-STD-348 | MIL-STD-348     |
| Hex Size                | 5/16 inch   |                 |



### Configuration:

- 2.92mm Male Connector 1
- Mini SMP Female Connector 2
- 50 Ohm
- Straight Body Geometry

### Features:

- VSWR of 1.4:1 max up to 40 GHz
- 2.92mm interface meets MIL-STD-348
- Mini SMP interface meets MIL-STD-348
- Contact plating according to MIL-G-45204
- Gold Plated Beryllium Copper Contact

### Applications:

- Enables Between Series Connections
- General Purpose Test

Fairview Microwave  
 301 Leora Ln., Suite 100  
 Lewisville, TX 75056  
 Tel: 1-800-715-4396 / (972) 649-6678  
 Fax: (972) 649-6689  
[www.fairviewmicrowave.com](http://www.fairviewmicrowave.com)  
[sales@fairviewmicrowave.com](mailto:sales@fairviewmicrowave.com)

**Material Specifications**

| Description                   | Connector 1                | Connector 2      |
|-------------------------------|----------------------------|------------------|
| Type                          | 2.92mm Male                | Mini SMP Female  |
| Contact Material              | Beryllium Copper           | Beryllium Copper |
| Contact Plating               | Gold                       | Gold             |
| Contact Plating Spec.         | MIL-G-45204                | MIL-G-45204      |
| Insulation Material           | PTFE                       | PTFE             |
| Outer Contact Material        |                            | Beryllium Copper |
| Outer Contact Plating         |                            | Gold             |
| Outer Conductor Contact Spec. |                            | MIL-G-45204      |
| Body Material                 | Beryllium Copper           |                  |
| Body Plating                  | Gold                       |                  |
| Body Plating Spec.            | MIL-G-45204                |                  |
| Coupling Nut Material         | Passivated Stainless Steel |                  |
| Coupling Nut Plating Spec.    | AMS-QQ-P-35                |                  |

**Environmental Specifications**

**Temperature**

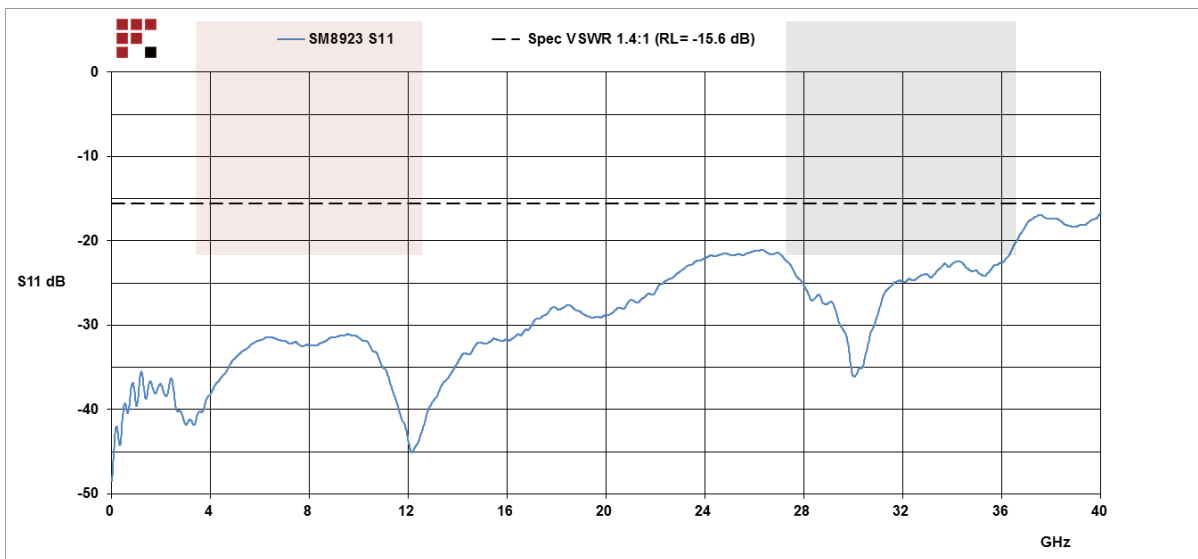
Operating Range -55 to +125 deg C

**Compliance Certifications** (see [product page](#) for current document)

**Plotted and Other Data**

Notes:

**Typical Performance Data**



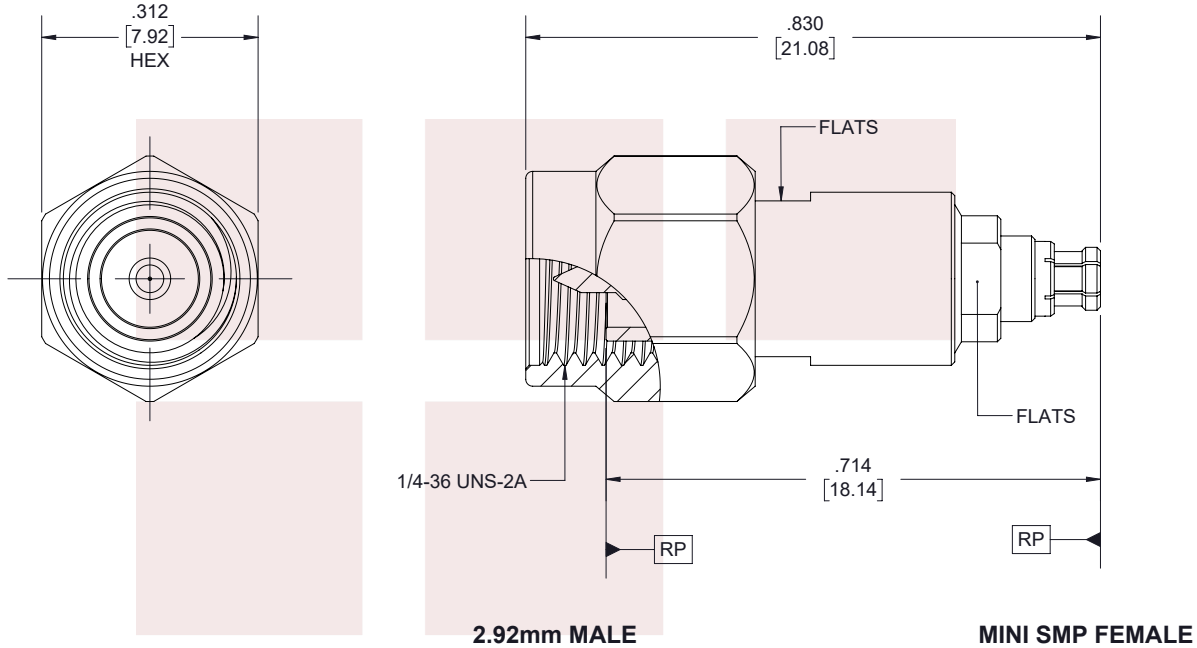
2.92mm Male to Mini SMP Female Adapter from Fairview Microwave is in-stock and available to ship same-day. All of our RF/microwave products are available off-the-shelf from our ISO 9001:2008 certified facilities in Allen, Texas. Fairview Microwave is RF on-demand.

For additional information on this product, please click the following link: [2.92mm Male to Mini SMP Female Adapter SM8923](#)

URL: <https://www.fairviewmicrowave.com/2.92mm-male-mini-smp-female-adapter-sm8923-p.aspx>

The information contained in this document is accurate to the best of our knowledge and representative of the part described herein. It may be necessary to make modifications to the part and/or the documentation of the part, in order to implement improvements. Fairview Microwave reserves the right to make such changes as required. Unless otherwise stated, all specifications are nominal. Fairview Microwave does not make any representation or warranty regarding the suitability of the part described herein for any particular purpose, and Fairview Microwave does not assume any liability arising out of the use of any part or documentation.





| STANDARD TOLERANCES |        |
|---------------------|--------|
| .X                  | ±0.2   |
| .XX                 | ±0.01  |
| .XXX                | ±0.005 |

\*STANDARD TOLERANCES APPLY ONLY TO DIMENSIONS IN INCHES

|   |        |   |        |                    |     |      |   |      |
|---|--------|---|--------|--------------------|-----|------|---|------|
| <b>FAIRVIEW MICROWAVE INC.</b><br>ALLEN, TX 75013 WWW.FAIRVIEWMICROWAVE.COM |        | NOTES:<br>1. UNLESS OTHERWISE SPECIFIED ALL DIMENSIONS ARE NOMINAL.<br>2. ALL SPECIFICATIONS ARE SUBJECT TO CHANGE WITHOUT NOTICE AT ANY TIME.<br>3. DIMENSIONS ARE IN INCHES [mm]. |        |                    |     |      |   |      |
| TITLE<br>2.92mm Male to Mini SMP Female Adapter                             |        | DWG NO<br>SM8923  |        | CAGE CODE<br>3FKR5 |     |      |   |      |
| CAD FILE  | 022218 | SHEET   | 1 OF 1 | SCALE              | N/A | SIZE | A | 7361 |