

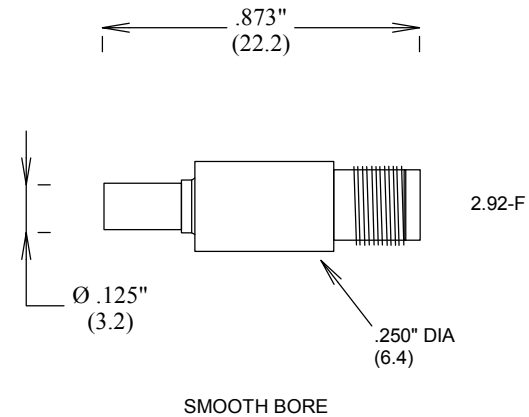
# ADAPTER MINI SMP/M SB-2.92/F 40GHZ

SM8929

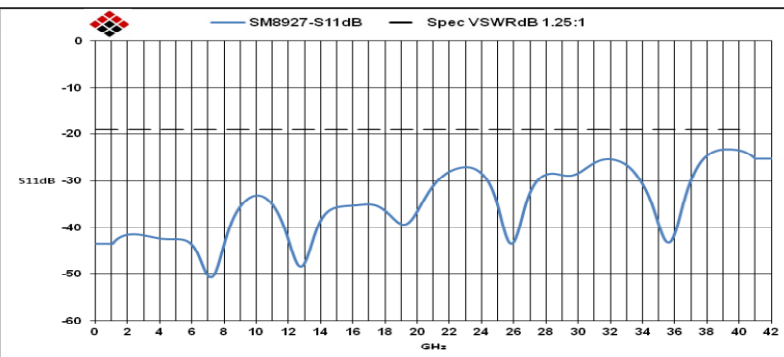
## SPECIFICATIONS

**ELECTRICAL:**  
 FREQUENCY: 0-40 GHZ  
 IMPEDANCE: 50 OHMS  
 VSWR: 1.25:1 MAX

**MECHANICAL:**  
 MATERIAL SMP BODY: BeCu  
 MATERIAL 2.92 BODY: PASS S STEEL  
 CENTER CONTACTS: BeCu  
 PLATING: Au PER MIL-G-45204  
 INSULATOR: PTFE  
 INTERFACE: SMP DESC 94007  
 INTERFACE: 2.92 MIL-STD-348B  
 OP. TEMP RANGE: -55° to +125°C  
 ROHS COMPLIANT  
 FORCE TO ENGAGE: 3.0 LBS MAX  
 FORCE TO DISENGAGE: 1.5 LBS MIN



MEASUREMENTS BELOW ARE TYPICAL



ALL DIMENSIONS IN inches(mm) Typical

**FAIRVIEW MICROWAVE INC.**

ALLEN, TX 75013 WWW.FAIRVIEWMICROWAVE.COM

TITLE

ADAPTER MINI SMP/M SB-2.92/F 40GHZ

SIZE <b>A</b>	CAGE CODE 3FKR5	DWG NO <b>SM8929</b>	REV <b>A</b>
SCALE		SHEET	